



GuangDong ZhaoQing DETON CO., Ltd certifies that the TDF series for model TDF 315 to TDF 1000 shown herein are licensed to bear the AMCA Seal. The ratings shown are based on tests and procedures performed in accordance with AMCA Publication 211 and AMCA Publication 311 and comply with the requirements of the AMCA Certified Ratings Program.



TDF带式传动空调风机

后倾叶轮、双进风
带式传动

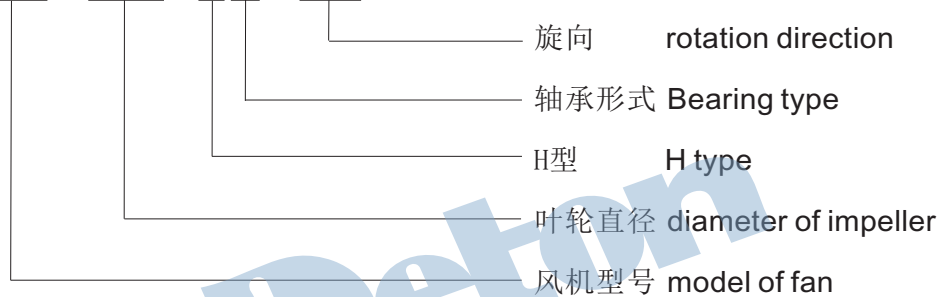
TDF Series
DWDI, Backward Blades
CENTRIFUGAL FAN



广东肇庆德通有限公司
GuangDong zhaoping DETON Co., Ltd.
July 2011

产品命名方式 Designation of Products

TDF - 355 - HM - LG



产品特征 Technical specification

- 叶轮:** 叶轮采用优质钢板制成,按三元流设计叶片与激光加工的中盘及拉伸前盘焊接而成.具有高精度特性.高转速叶轮还焊接有叶轮加强环加强叶轮结构.

Wheel: backward blade.made of high grade steel sheet, it is to provide a highly efficient and low noise and special-designed blades are welded on the center disc,and inlet belling of impeller.
- 机壳:** 机壳采用优质热镀锌钢板制成.侧板采用数控激光切割而成保证高精度的型线.侧板与涡板之间采用咬口工艺连接, G型风机采用加厚焊接涡壳.

Scroll: made of high grade galvanized steelsheet, and it is cutted by laser-cutting machine with high quality. The scroll plate is connected to the side plate by pittsburgh lock way and welding.
- 框架:** 框架采用角钢或折边角钢焊接或TOX铆接而成,表面采用喷涂处理.

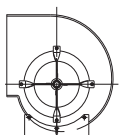
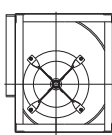
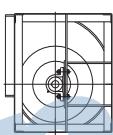
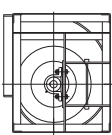
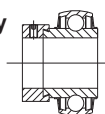
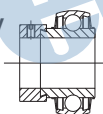
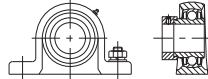
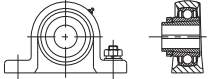
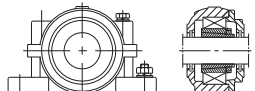
Frame: made of angle sections steel ,and painted with polyester coatings.
- 轴承:** 轴承采用优质调心滚珠轴承. H及G式风机采用带座轴承.

Bearing: out-spherial ball bearing are used in TDF.
- 主轴:** 主轴采用优质 45号钢精加工而成,确保主轴的尺寸及行位公差.每根主轴都经过防锈处理.

Shaft: the shaft is made of C45 carbon steel with high tolerance levels.shaft is provided corrosion resistance.
- 平衡:** 每个叶轮在装配前都经过动平衡,平衡精度满足ISO1940 和AMCA204 标准中G2.5标准.

Balance: all wheel are statically and dynamically balanced to ISO1940 and AMCA 204-G2.5 standard.

轴承配套形式 Bearing type

风机形式 Fan type	D 	K 	H 	G 
轻型负载 Light duty	DL 轻载荷 Light duty 	KL 轻载荷 Light duty 	HL 轻载荷 Light duty 	
中型负载 Medium duty			HM 中载荷 Medium duty 	GM 中载荷 Medium duty 

运转极限 Operational limits

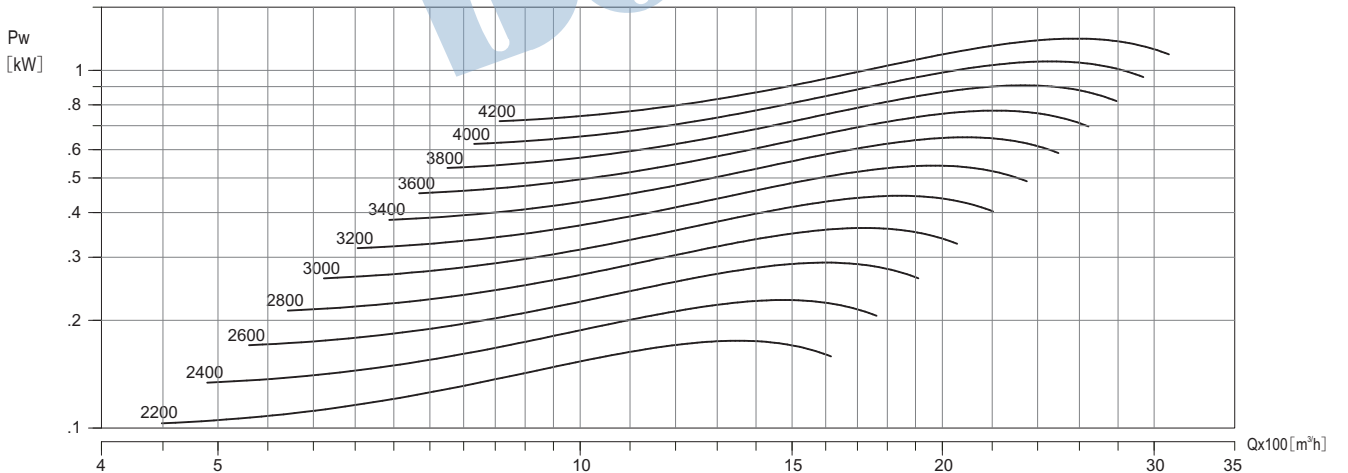
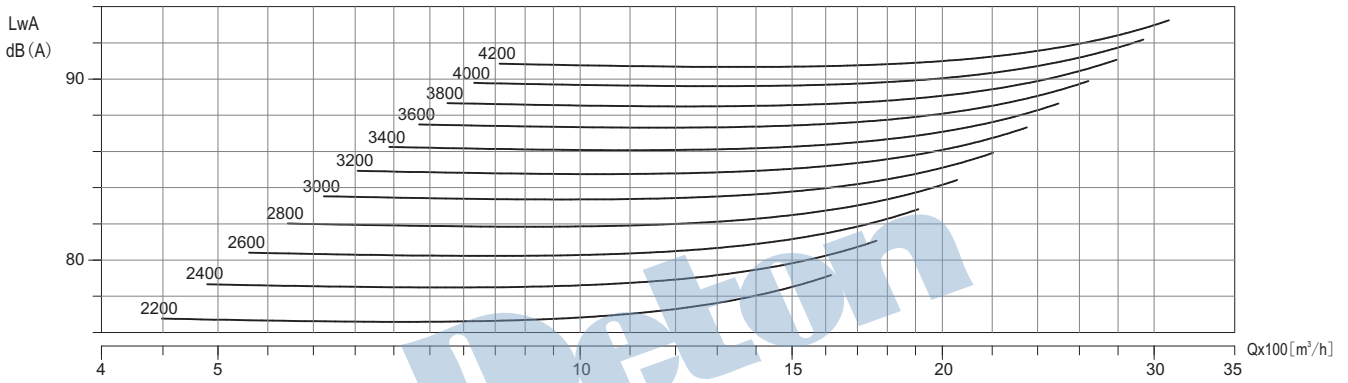
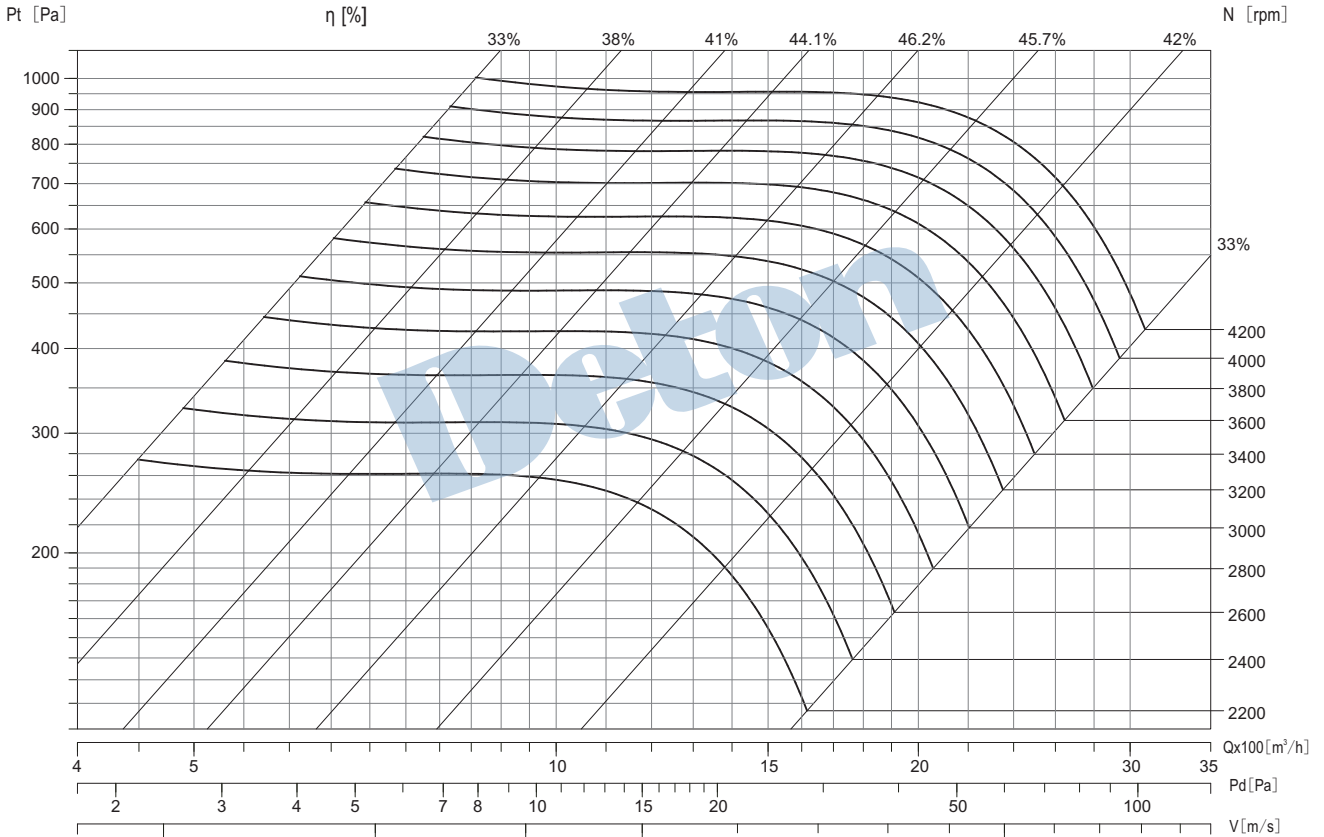
		形式 Type		200	225	250	280	315	355	400	450	500	560	630	710	800	
最大输入功率 Max. power	D-K	L	kW	1.5	1.5	2	3	4	4.5	5.5	7.5						
		H	L	kW	2	3	3	5.5	5.5	5.5	6	8	12	14	20	20	18.5
		M	kW	2	3	4	8	8	15	15	15	22	30	35	40	30	
	G	M	kW									30	38.5	40	60	65	
风机最高转速 Max. speed	D-K	L	rpm	3600	3400	3000	2800	2600	2100	1800	1500						
		H	L	rpm	3800	3600	3400	3200	2900	2400	2000	1800	1700	1500	1400	1300	1000
		M	rpm	4200	4000	3800	3600	3500	3000	2600	2500	2400	2100	1900	1700	1200	
	G	M	rpm									2800	2500	2200	2000	1600	
环境温度/最低 -20°C Temp. /min.-20°C	D-K	Max. °C		40	40	40	40	40	40	40	40						
	H-G	Max. °C		60	60	60	60	60	60	60	60	60	60	60	60	60	
风机重量 Fan weight	D	L	kg	12	15	19	25	26	37	42	58						
		K	L	kg	12.5	16	20	26	27	41	45	62					
	H	L	kg	16	19	23	29	39	51.5	65	86.5	113	155	193	247	299	
		M	kg	16	19	23	29	40	53	67	89	116	158	197	251	299	
	G	M	kg									124	166	212	271	323	

TDF Series



TDF200

Air Density: 1.2 kg/m³



Performance certified is for installation type B-Free inlet, Ducted outlet. Performance ratings do not include the effects of appurtenances (accessories). Power rating kW does not include transmission losses. The A-weighted sound ratings shown have been calculated per AMCA International standard 301. Values shown are for inlet LwA sound power levels for Installation type B: free inlet, ducted outlet.

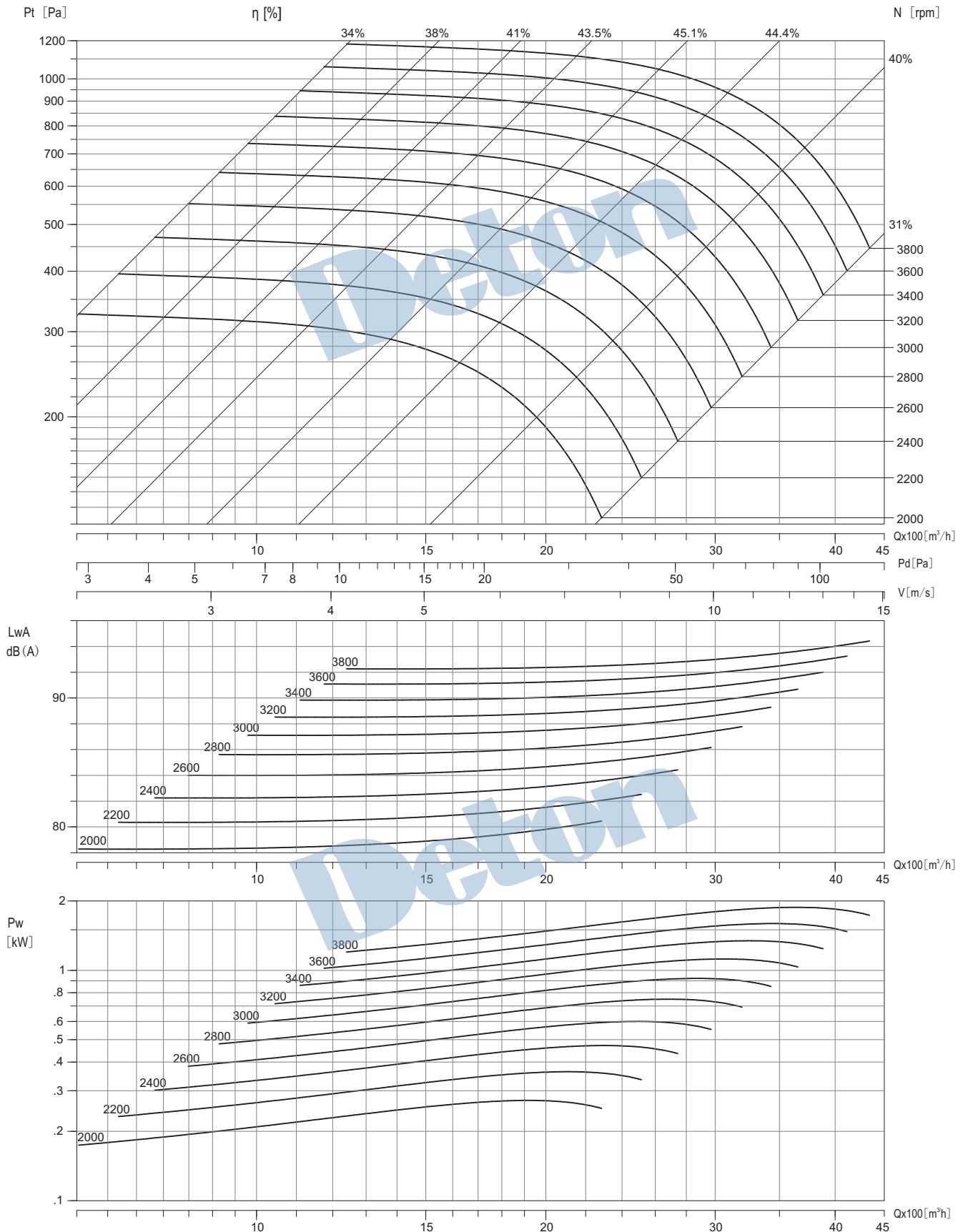
MODEL TDF200 IS NOT LICENSED TO BEAR THE AMCA CERTIFIED RATINGS SEAL.

TDF Series



TDF225

Air Density: 1.2 kg/m³



Performance certified is for installation type B-Free inlet, Ducted outlet. Performance ratings do not include the effects of appurtenances (accessories). Power rating kW does not include transmission losses. The A-weighted sound ratings shown have been calculated per AMCA International standard 301. Values shown are for inlet L_{wA} sound power levels for Installation type B: free inlet, ducted outlet.

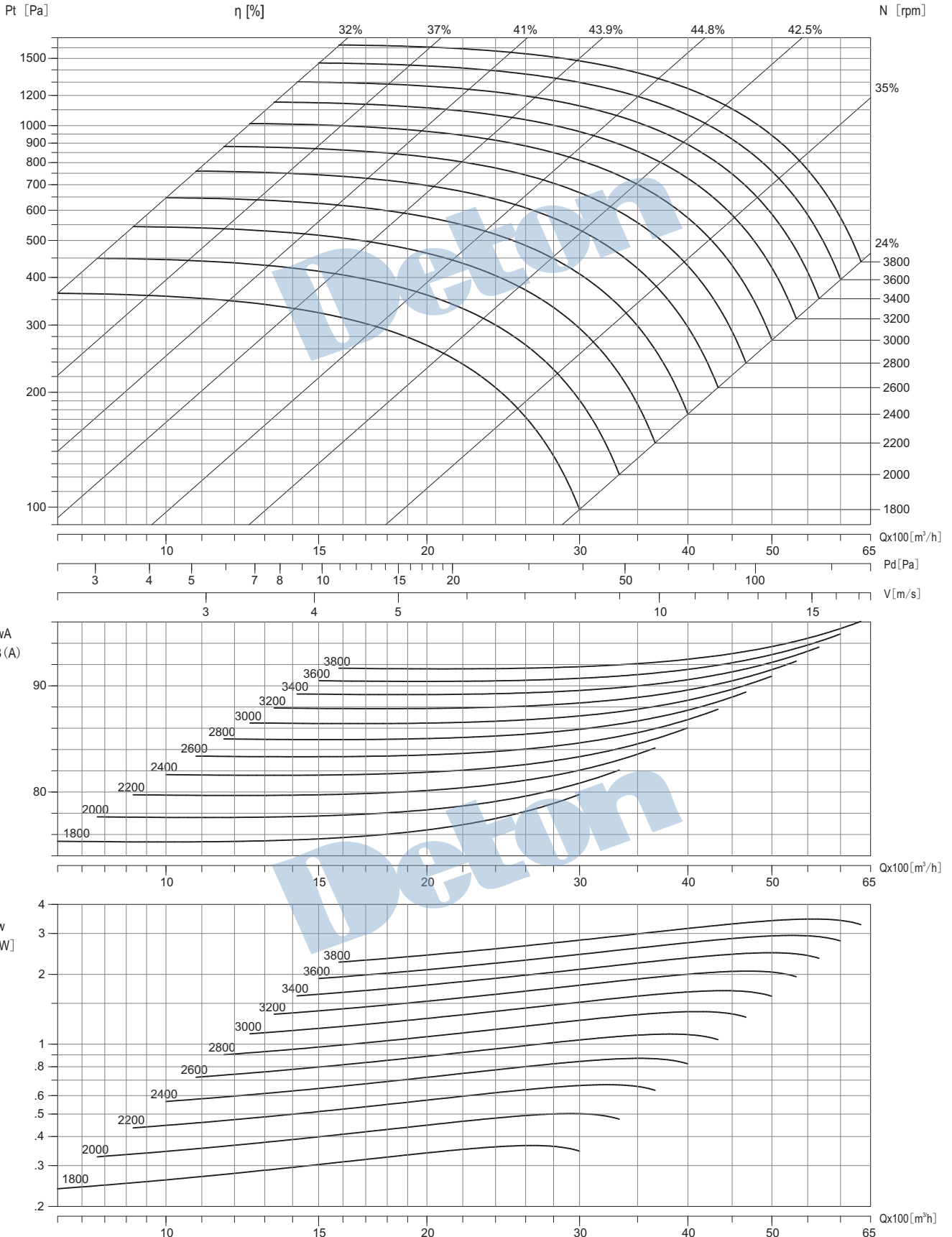
MODEL TDF225 IS NOT LICENSED TO BEAR THE AMCA CERTIFIED RATINGS SEAL.

TDF Series



TDF250

Air Density: 1.2 kg/m³



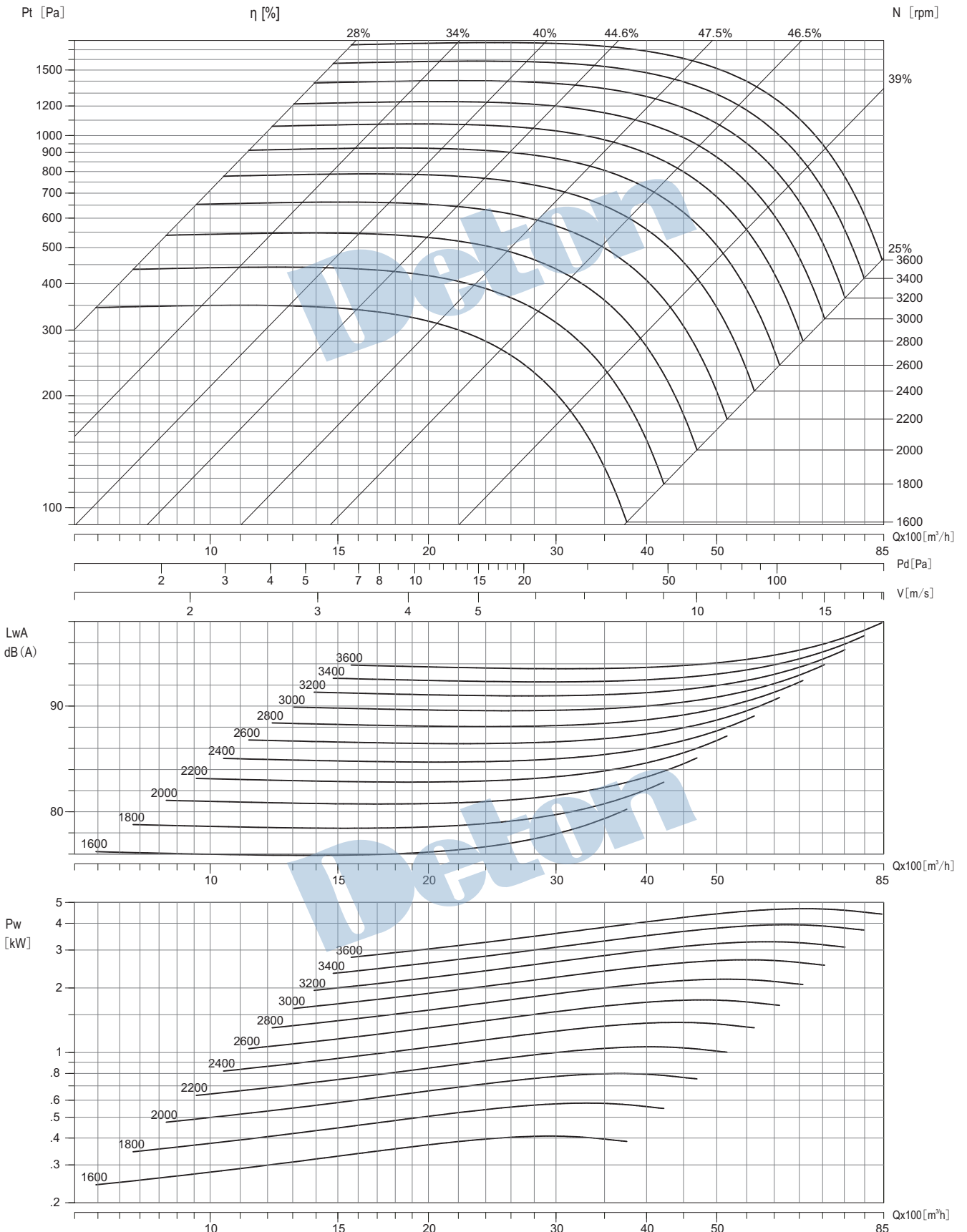
Performance certified is for installation type B-Free inlet, Ducted outlet. Performance ratings do not include the effects of appurtenances (accessories). Power rating kW does not include transmission losses. The A-weighted sound ratings shown have been calculated per AMCA International standard 301. Values shown are for inlet L_{wA} sound power levels for Installation type B: free inlet, ducted outlet.

MODEL TDF250 IS NOT LICENSED TO BEAR THE AMCA CERTIFIED RATINGS SEAL.



TDF280

Air Density: 1.2 kg/m³



Performance certified is for installation type B-Free inlet, Ducted outlet. Performance ratings do not include the effects of appurtenances (accessories). Power rating kW does not include transmission losses. The A-weighted sound ratings shown have been calculated per AMCA International standard 301. Values shown are for inlet L_{wA} sound power levels for Installation type B: free inlet, ducted outlet.

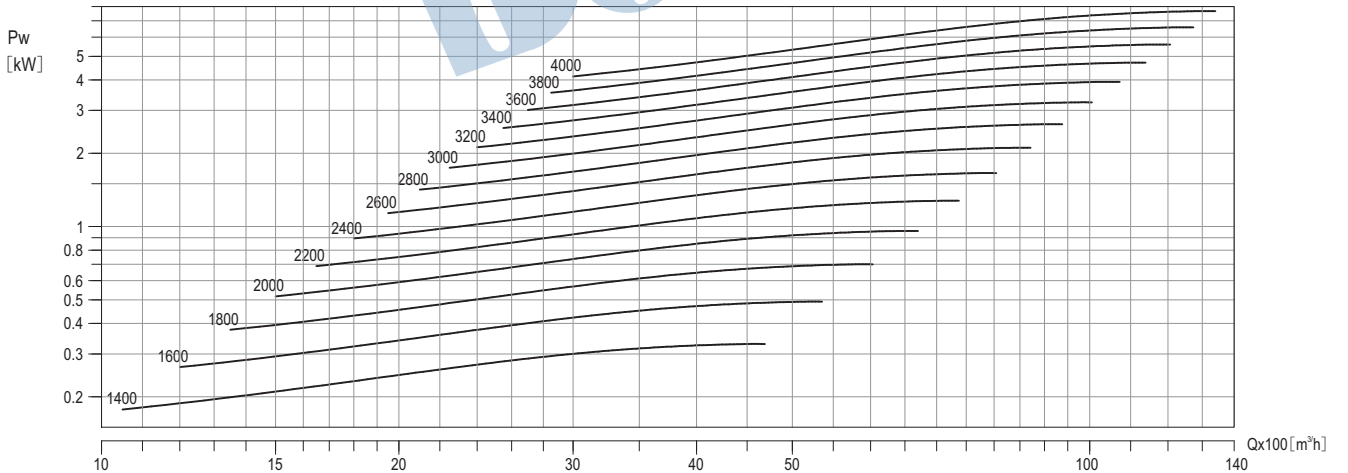
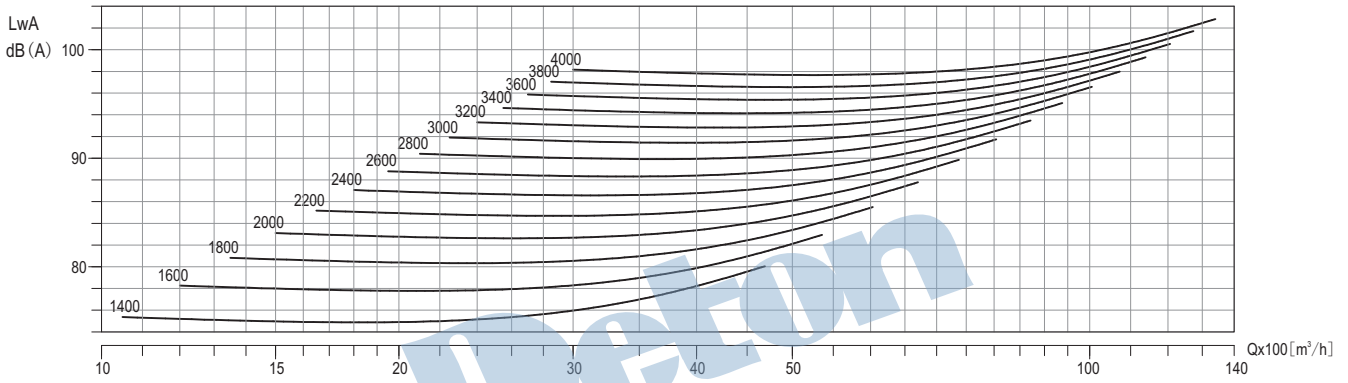
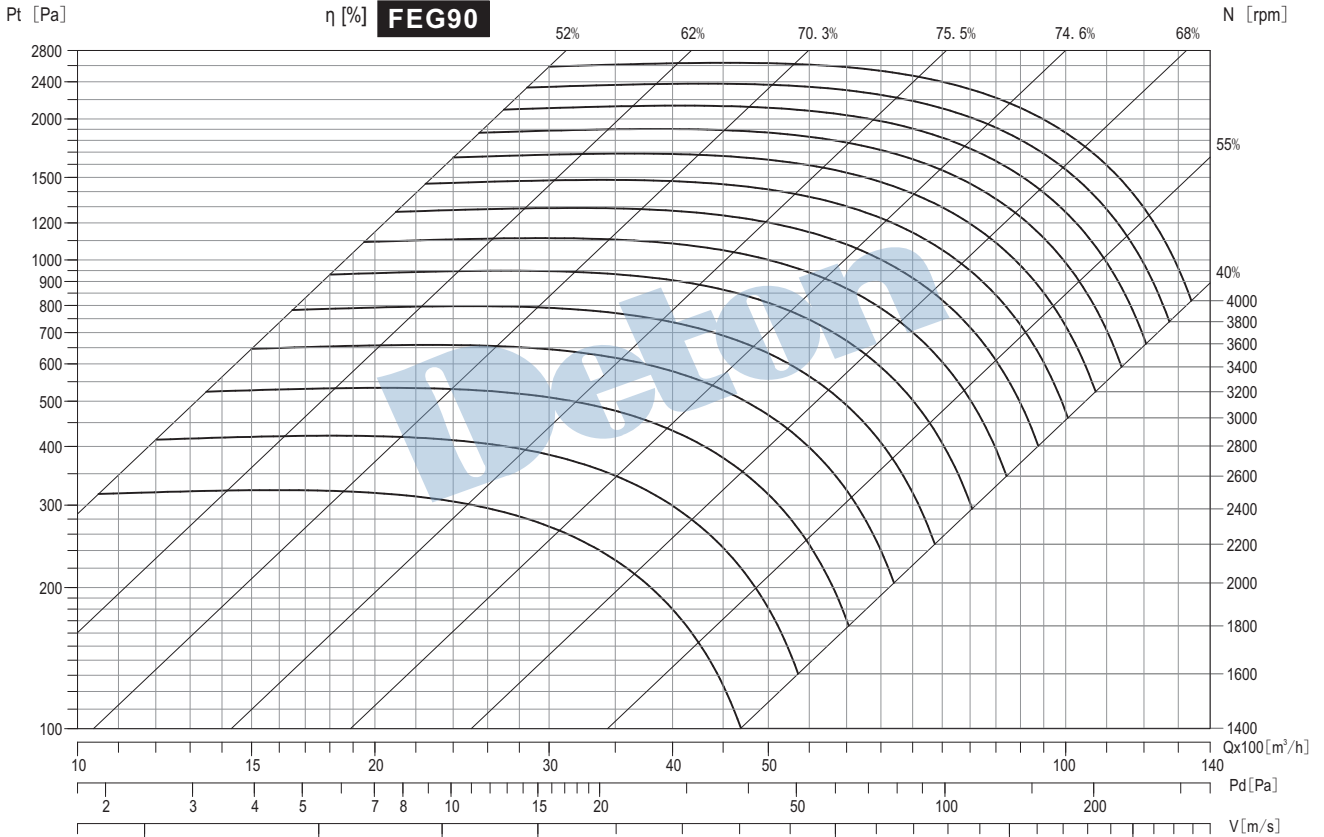
MODEL TDF280 IS NOT LICENSED TO BEAR THE AMCA CERTIFIED RATINGS SEAL.

TDF Series



TDF315

Air Density: 1.2 kg/m³



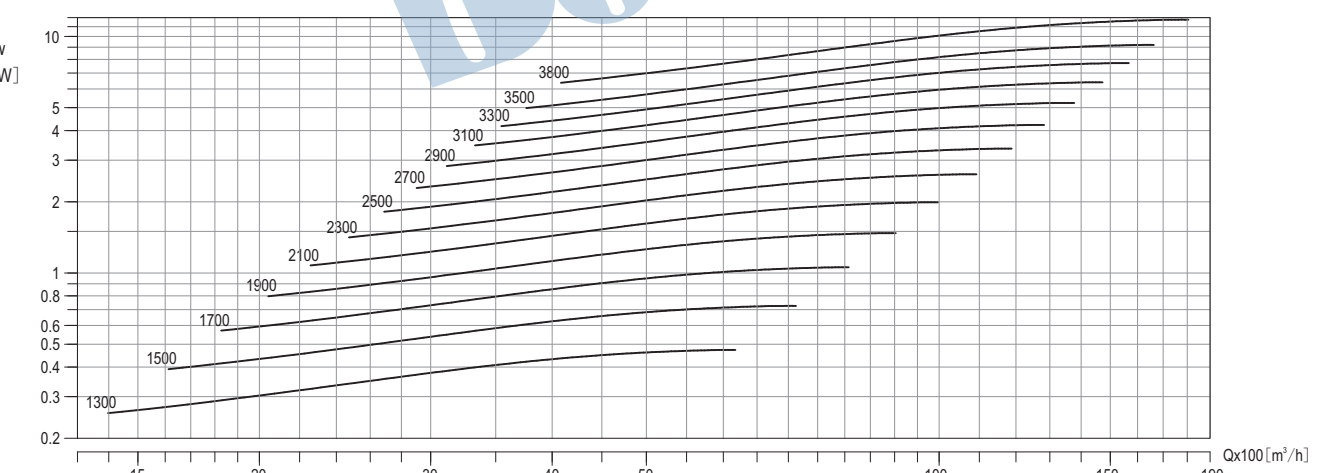
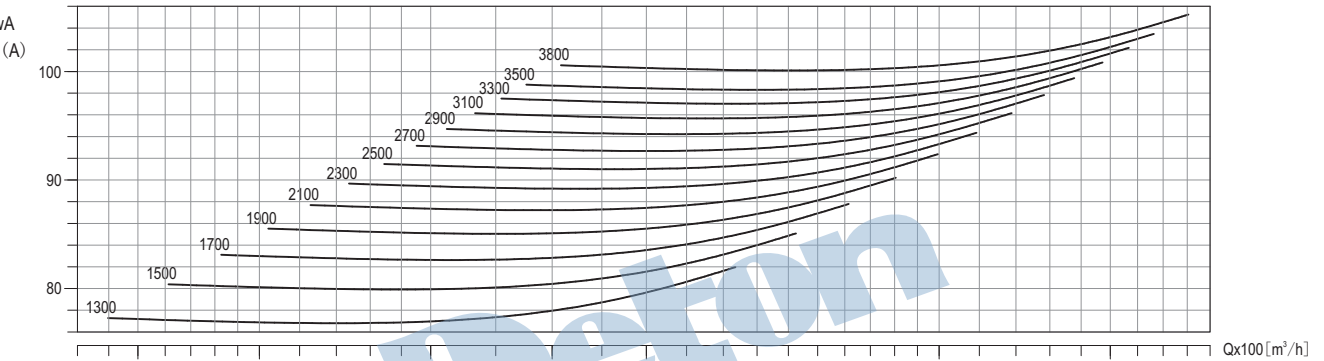
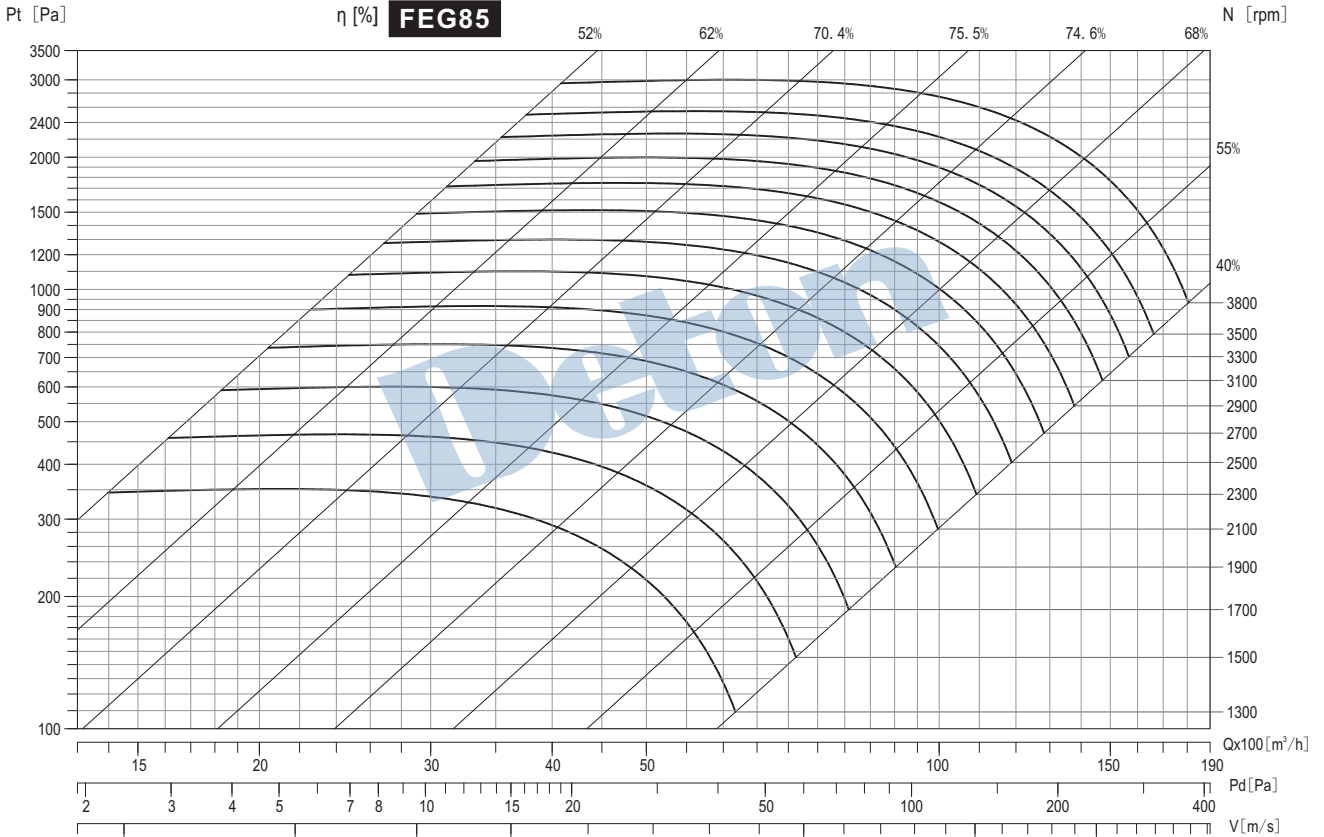
Performance certified is for installation type B-Free inlet, Ducted outlet. Performance ratings do not include the effects of appurtenances (accessories). Power rating kW does not include transmission losses. The A-weighted sound ratings shown have been calculated per AMCA International standard 301. Values shown are for inlet LwiA sound power levels for Installation type B: free inlet, ducted outlet.

TDF Series



TDF355

Air Density: 1.2 kg/m³



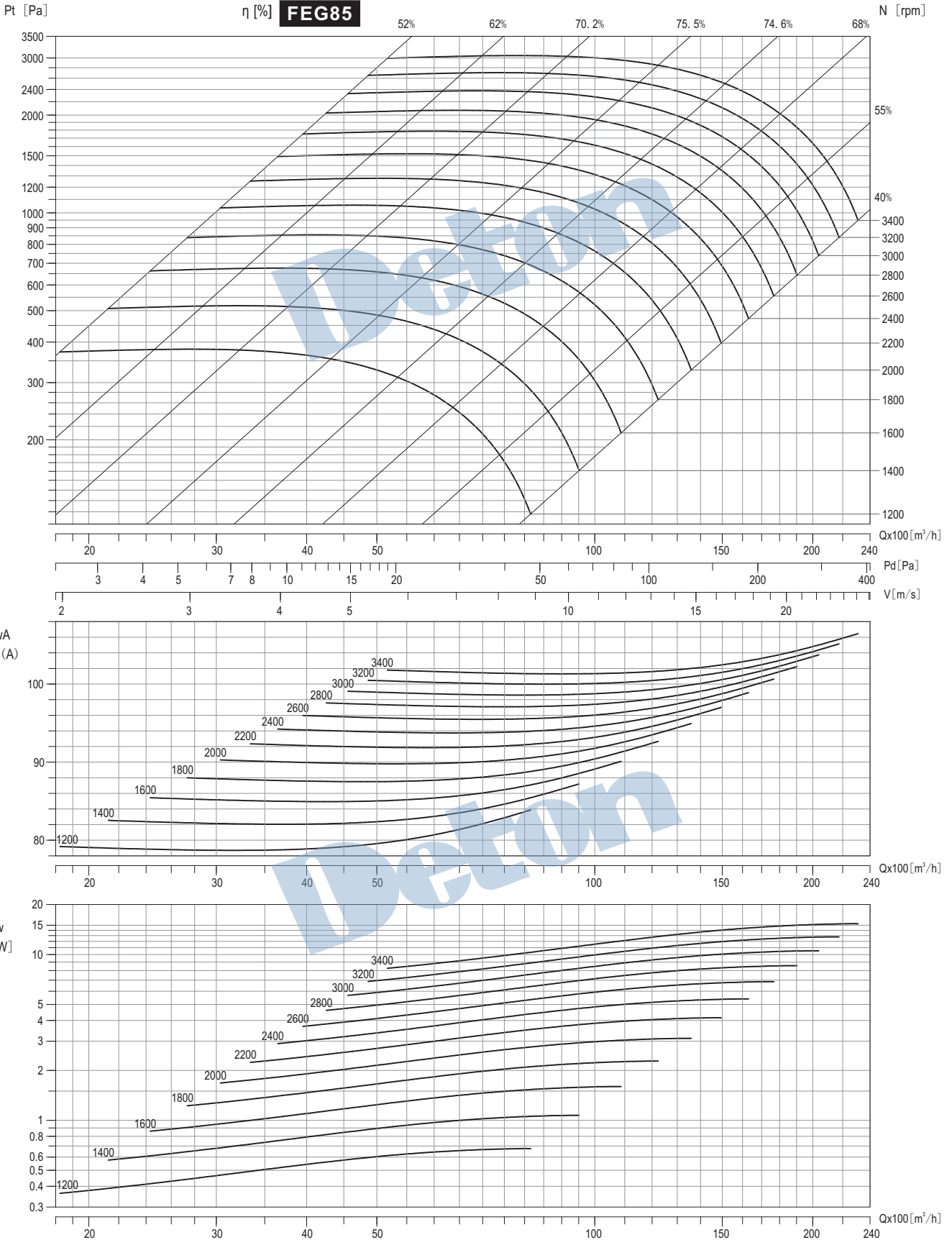
Performance certified is for installation type B-Free inlet, Ducted outlet. Performance ratings do not include the effects of apurtenances (accessories). Power rating kW does not include transmission losses. The A-weighted sound ratings shown have been calculated per AMCA International standard 301. Values shown are for inlet LwiA sound power levels for Installation type B: free inlet, ducted outlet.

TDF Series



TDF400

Air Density: 1.2 kg/m³



Performance certified is for installation type B-Free inlet, Ducted outlet. Performance ratings do not include the effects of aperturancs (accessories). Power rating kW does not include transmission losses. The A-weighted sound ratings shown have been calculated per AMCA International standard 301. Values shown are for inlet LwiA sound power levels for Installation type B: free inlet, ducted outlet.

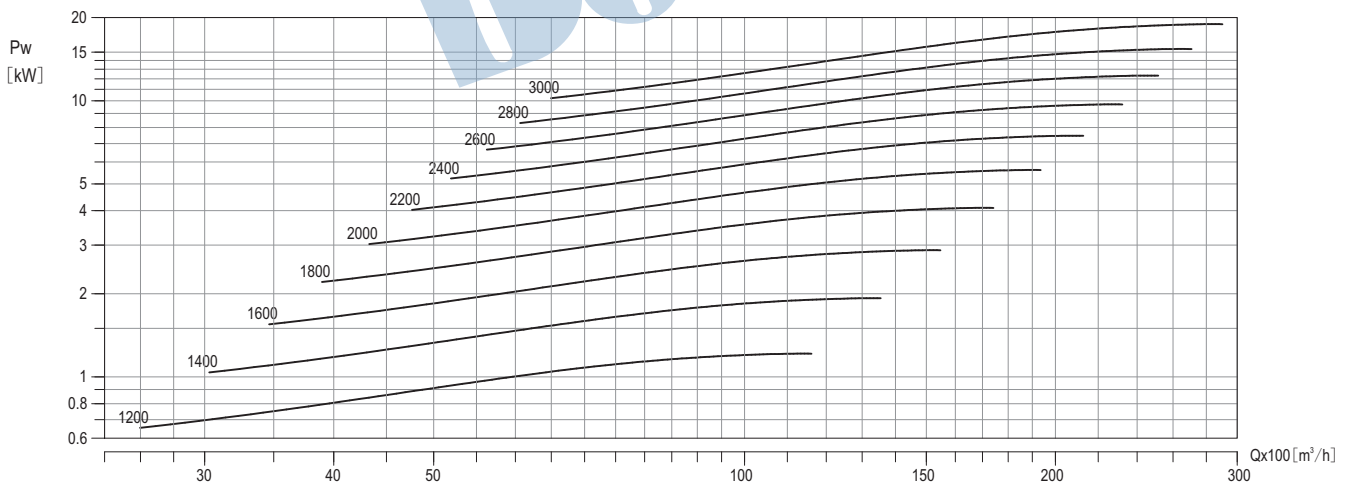
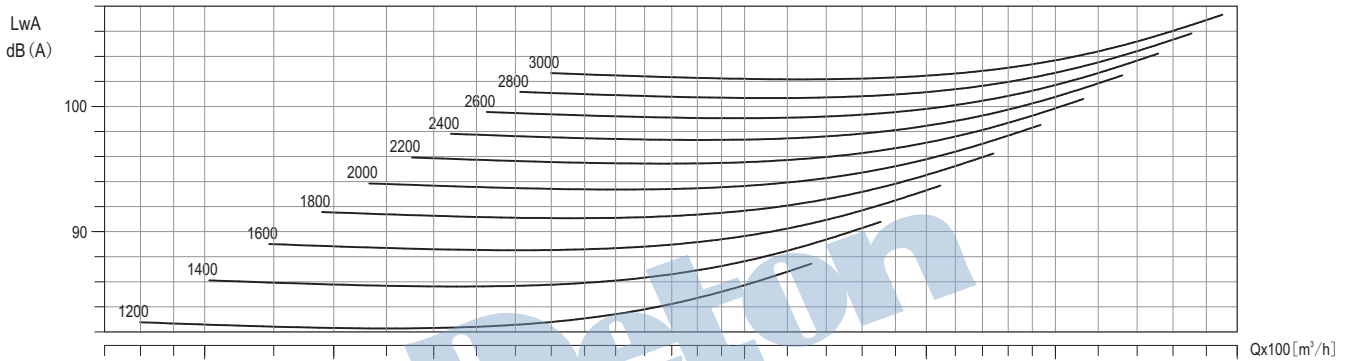
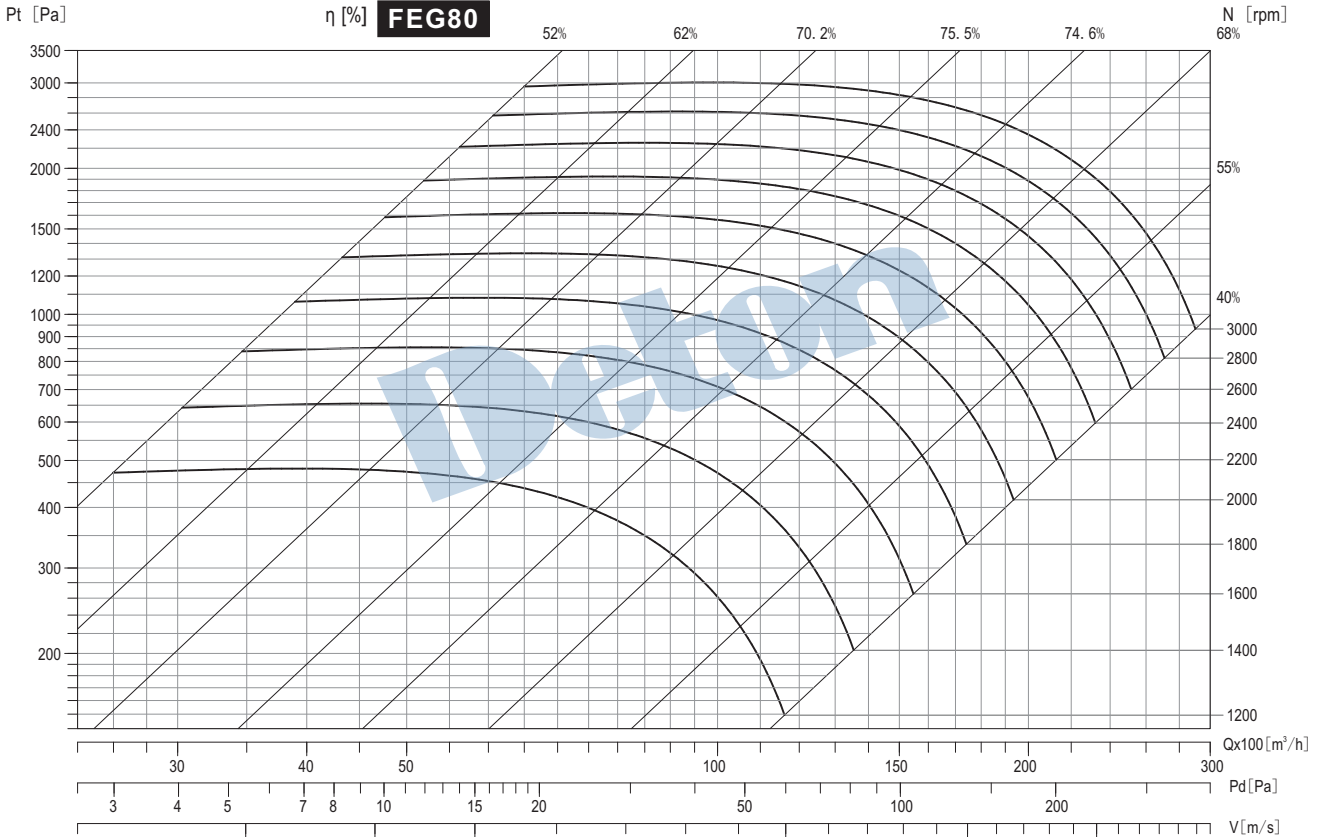


TDF450

Air Density: 1.2 kg/m³

η [%] **FEG80**

52% 62% 70.2% 75.5% 74.6% N [rpm] 68%



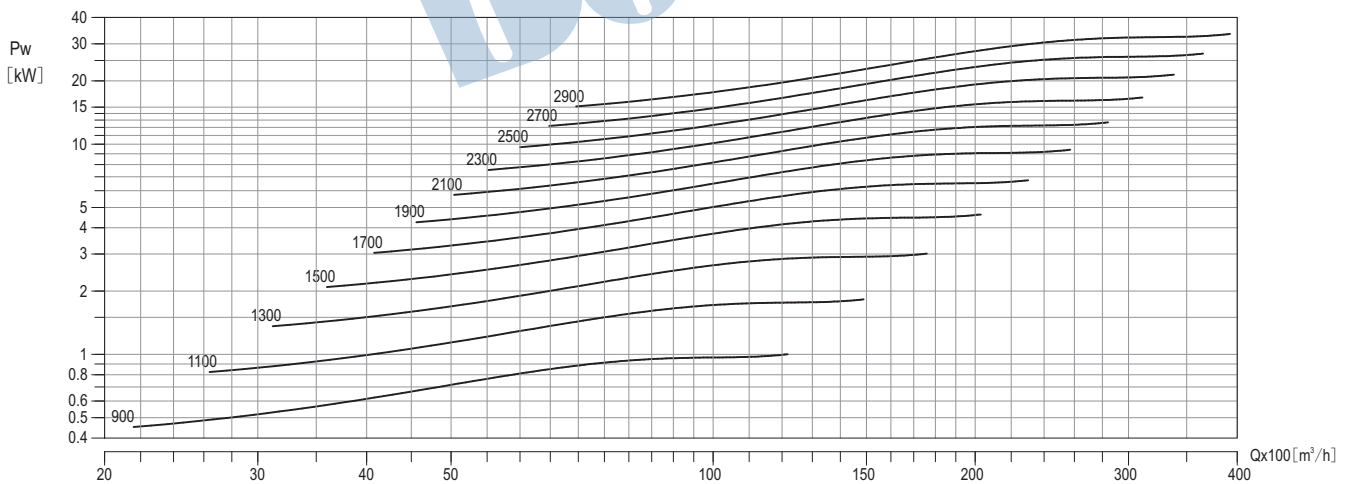
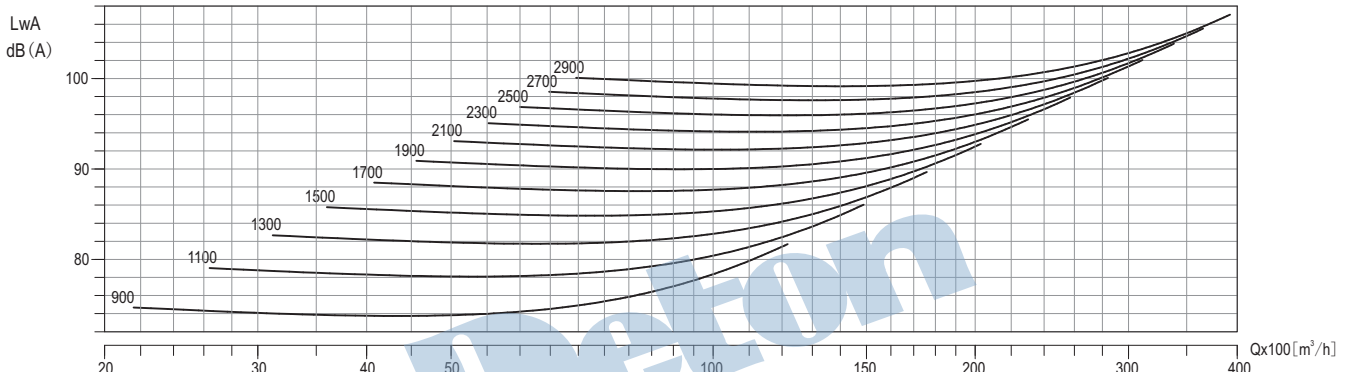
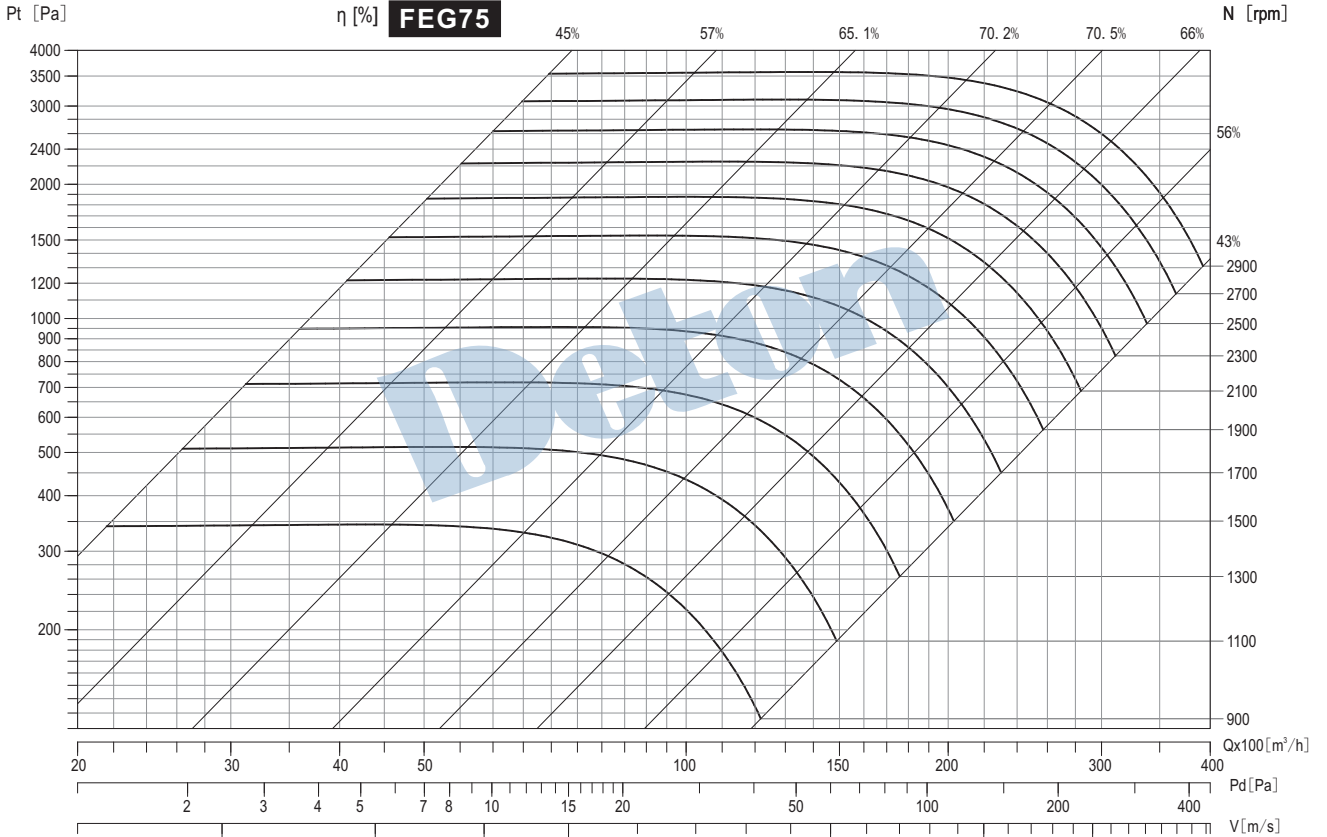
Performance certified is for installation type B-Free inlet, Ducted outlet. Performance ratings do not include the effects of apertures (accessories). Power rating kW does not include transmission losses. The A-weighted sound ratings shown have been calculated per AMCA International standard 301. Values shown are for inlet LwiA sound power levels for Installation type B: free inlet, ducted outlet.

TDF Series



TDF500

Air Density: 1.2 kg/m³

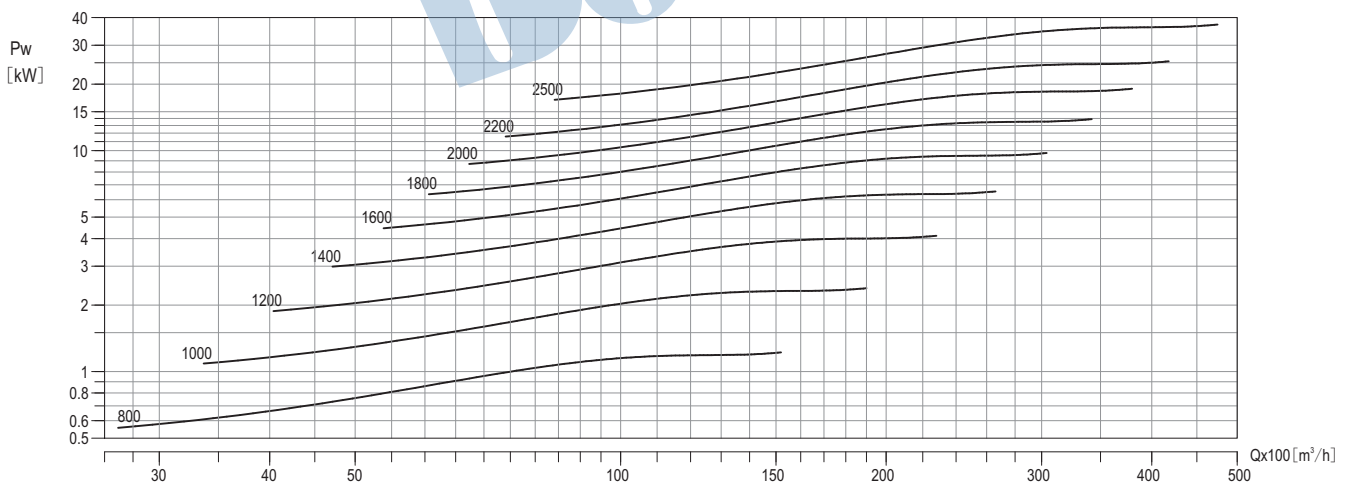
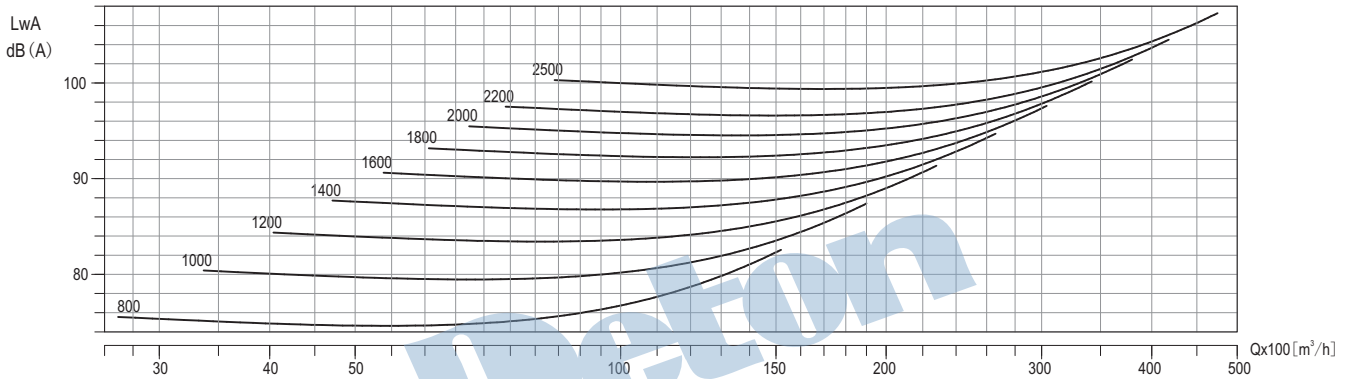
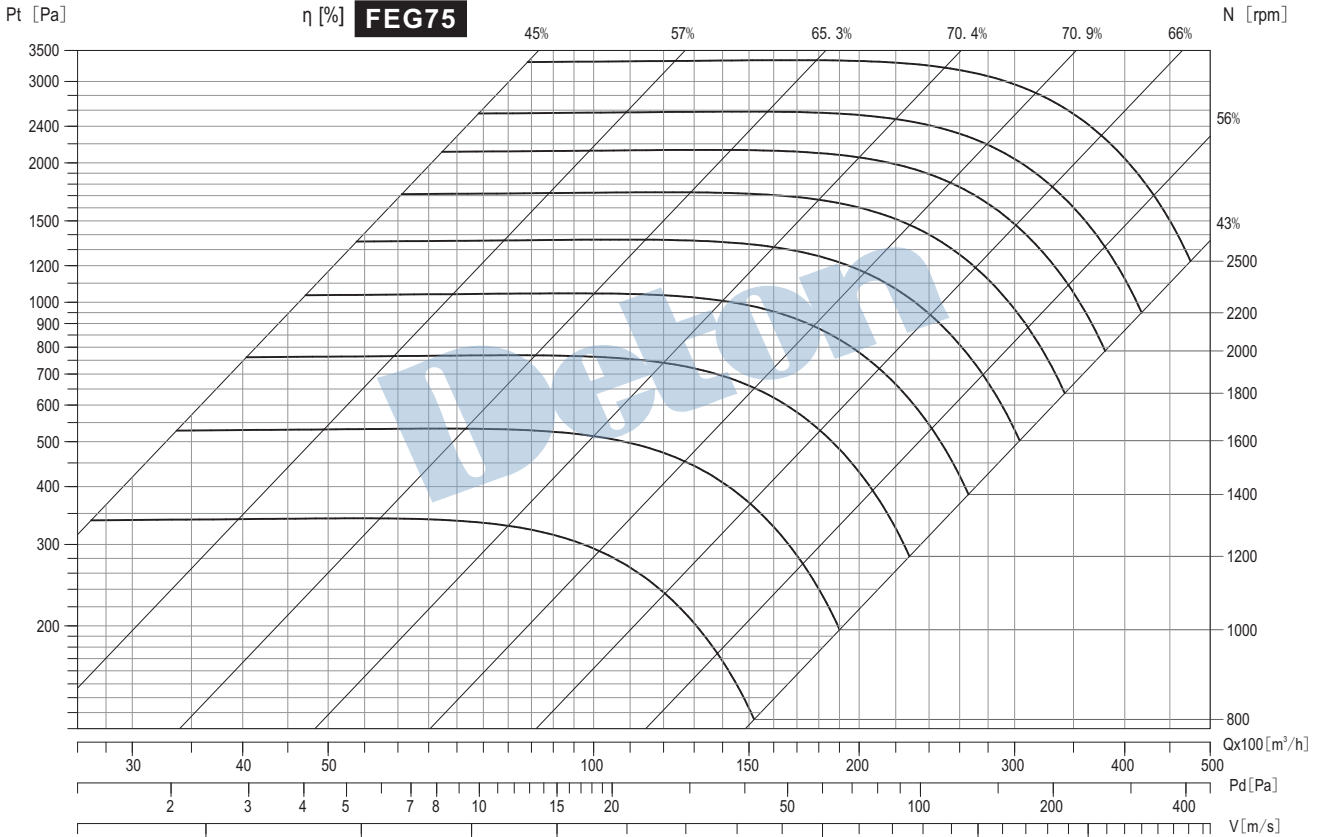


Performance certified is for installation type B-Free inlet, Ducted outlet. Performance ratings do not include the effects of appurtenances (accessories). Power rating kW does not include transmission losses. The A-weighted sound ratings shown have been calculated per AMCA International standard 301. Values shown are for inlet LwiA sound power levels for Installation type B: free inlet, ducted outlet.

TDF Series

TDF560

Air Density: 1.2 kg/m³



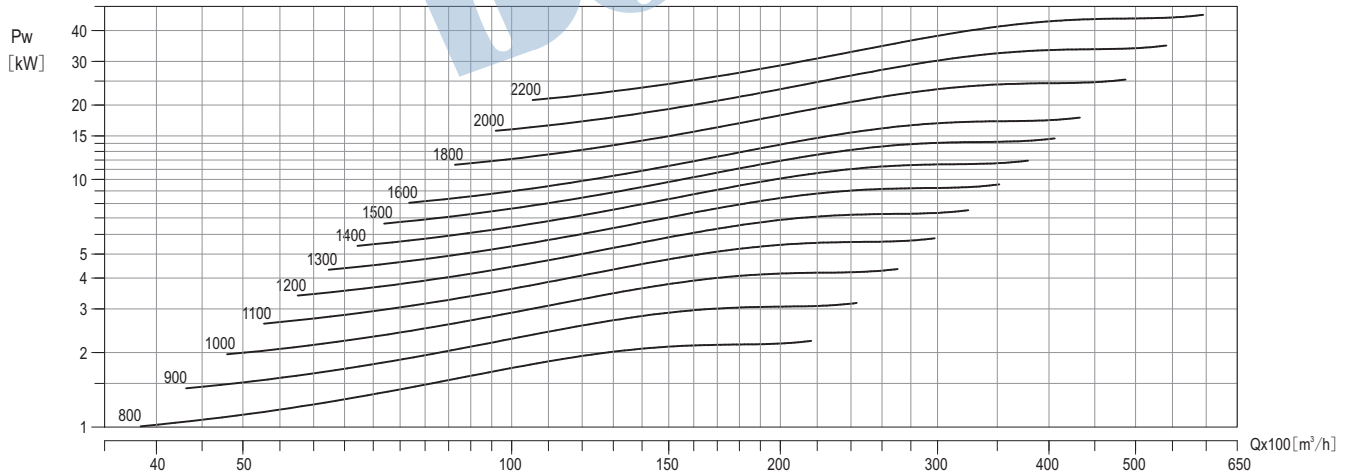
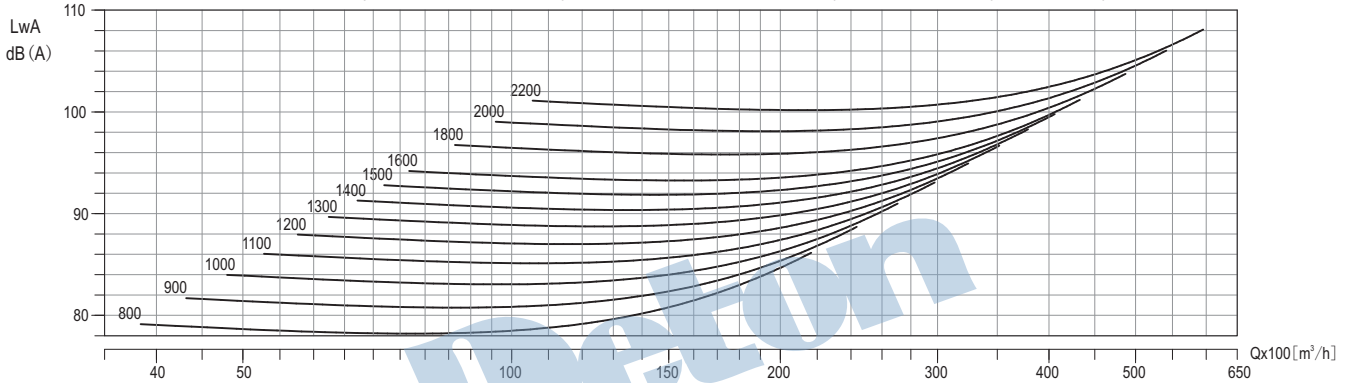
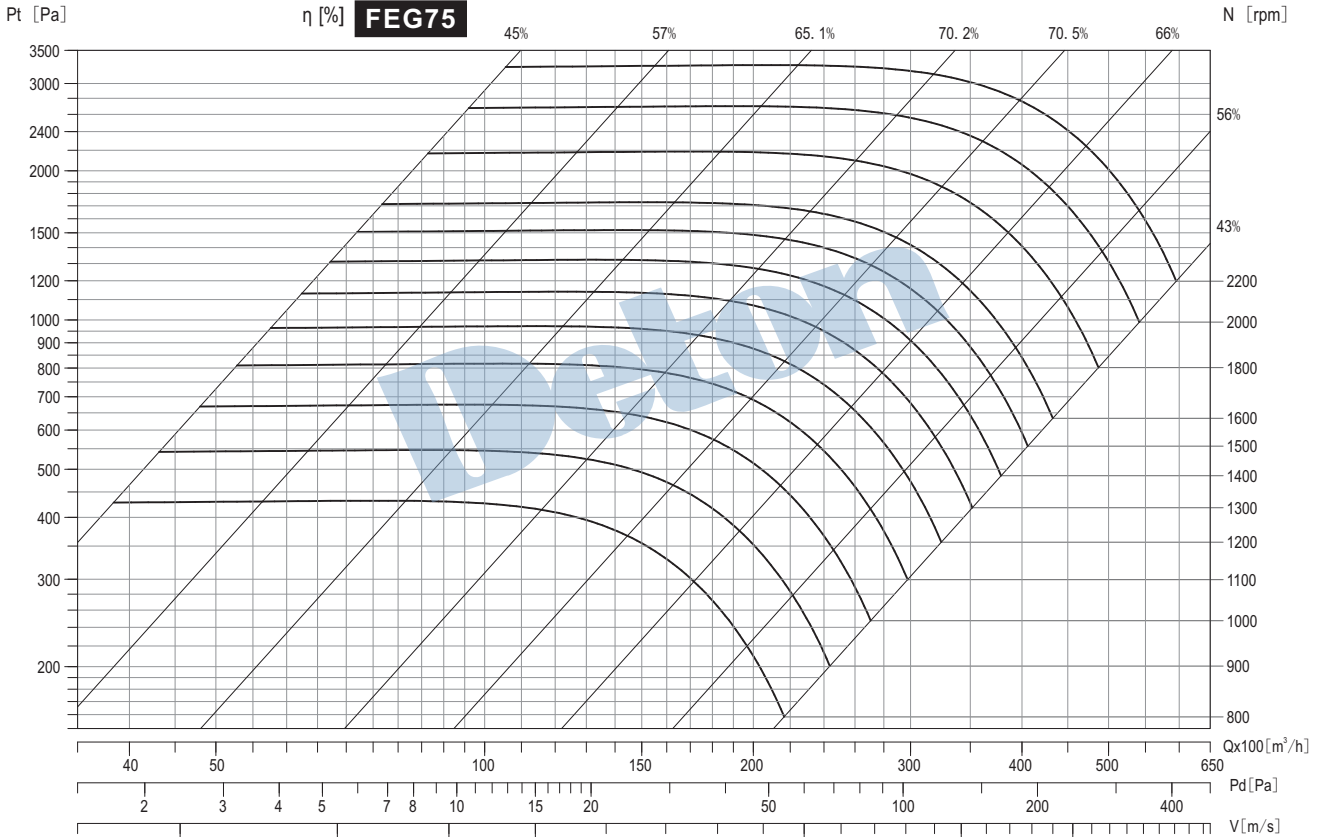
Performance certified is for installation type B-Free inlet, Ducted outlet. Performance ratings do not include the effects of appurtenances (accessories). Power rating kW does not include transmission losses. The A-weighted sound ratings shown have been calculated per AMCA International standard 301. Values shown are for inlet LwiA sound power levels for Installation type B: free inlet, ducted outlet.

TDF Series



TDF630

Air Density: 1.2 kg/m³

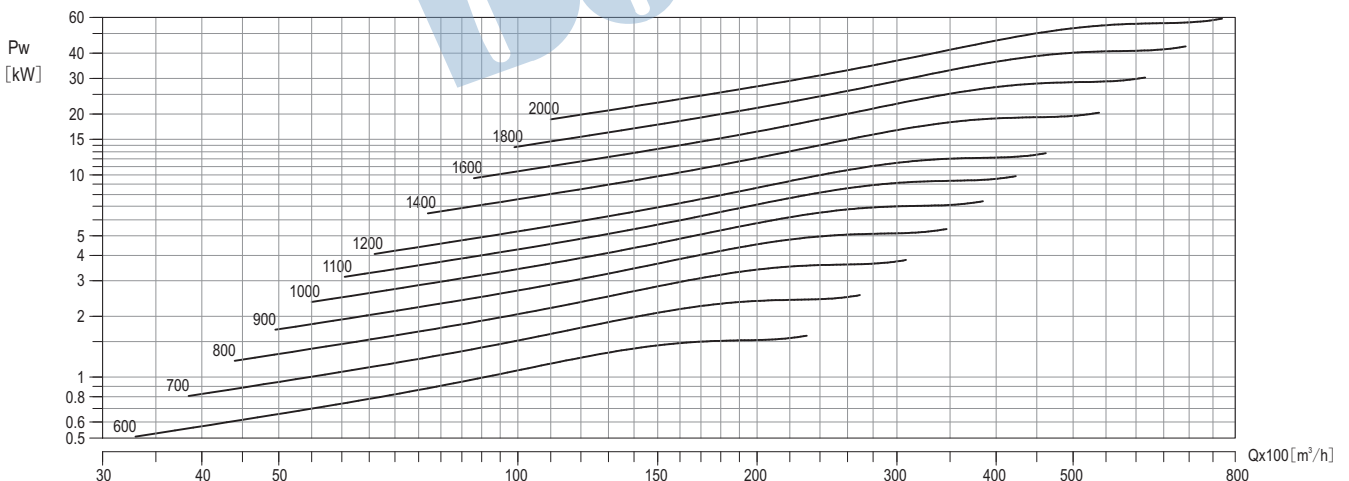
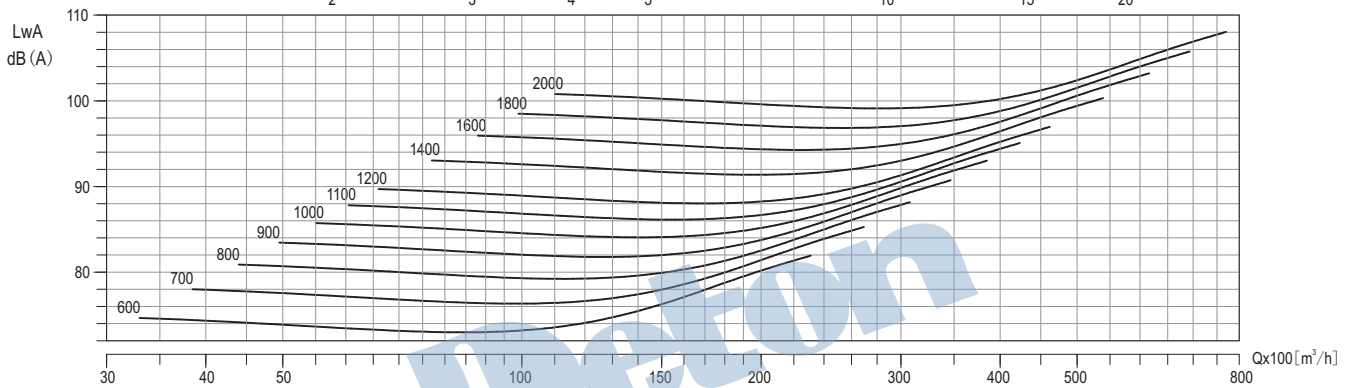
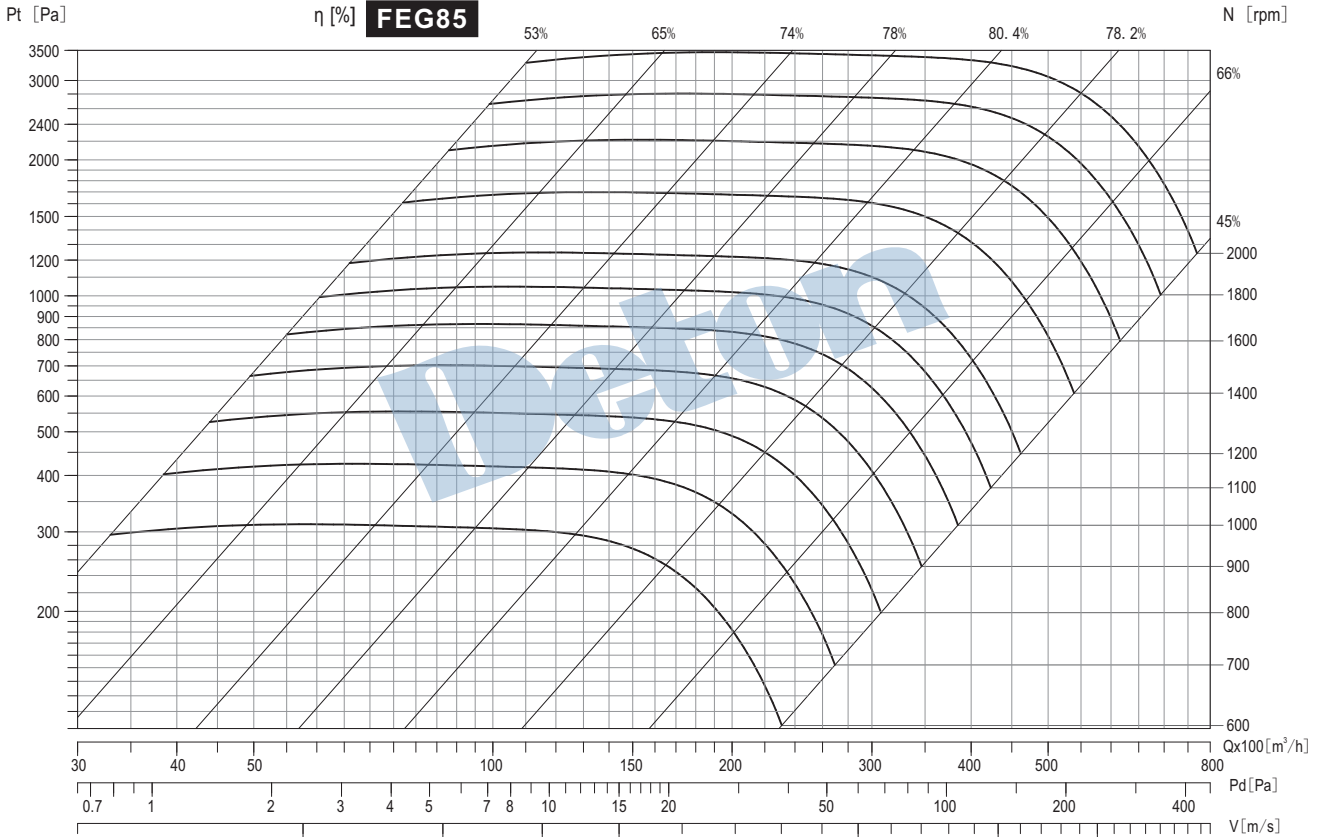


Performance certified is for installation type B-Free inlet, Ducted outlet. Performance ratings do not include the effects of apertures (accessories). Power rating kW does not include transmission losses. The A-weighted sound ratings shown have been calculated per AMCA International standard 301. Values shown are for inlet LwA sound power levels for Installation type B: free inlet, ducted outlet.

TDF Series

TDF710

Air Density: 1.2 kg/m³



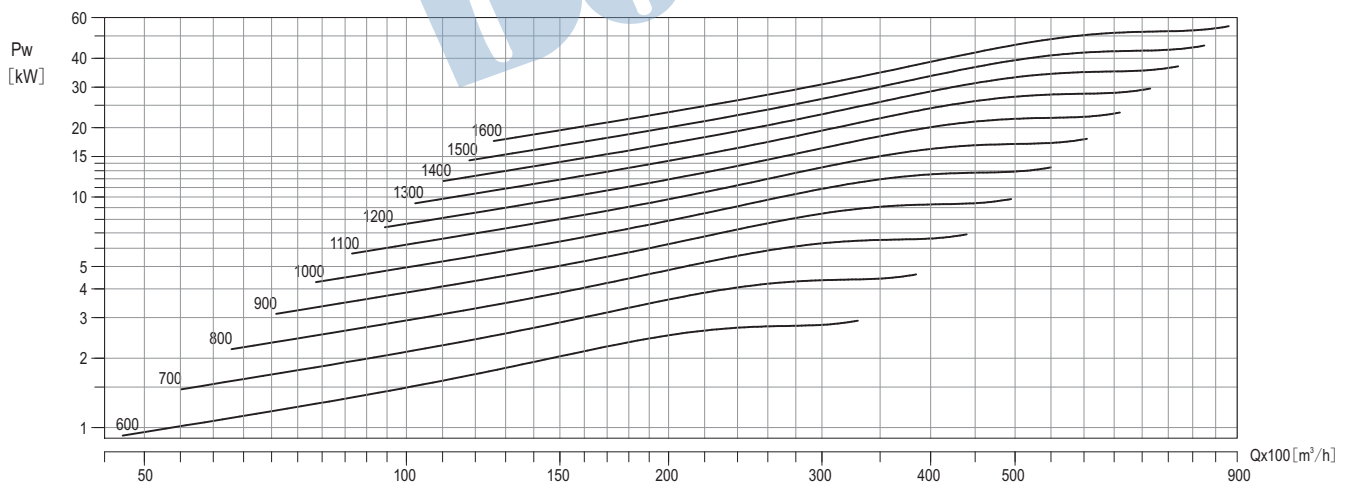
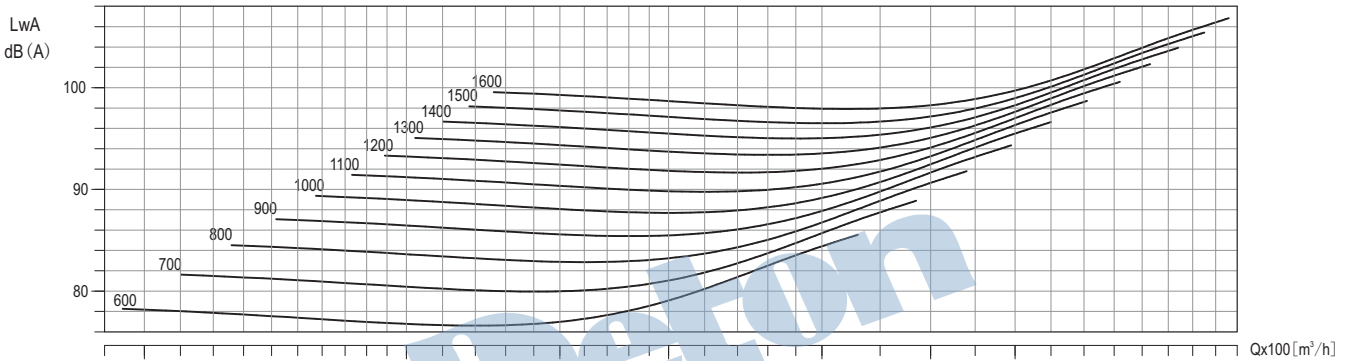
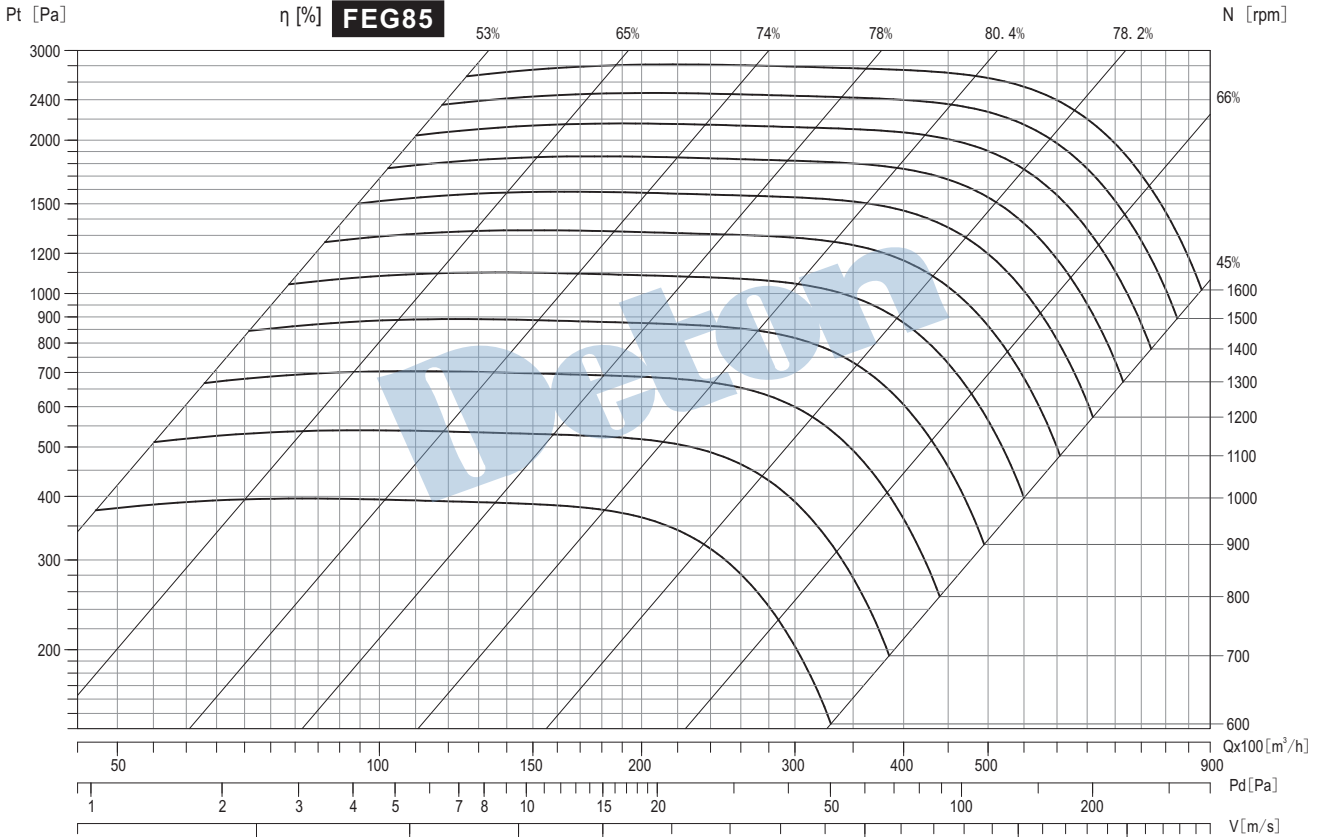
Performance certified is for installation type B-Free inlet, Ducted outlet. Performance ratings do not include the effects of aperturancs (accessories). Power rating kW does not include transmission losses. The A-weighted sound ratings shown have been calculated per AMCA International standard 301. Values shown are for inlet LwiA sound power levels for Installation type B: free inlet, ducted outlet.

TDF Series



TDF800

Air Density: 1.2 kg/m³



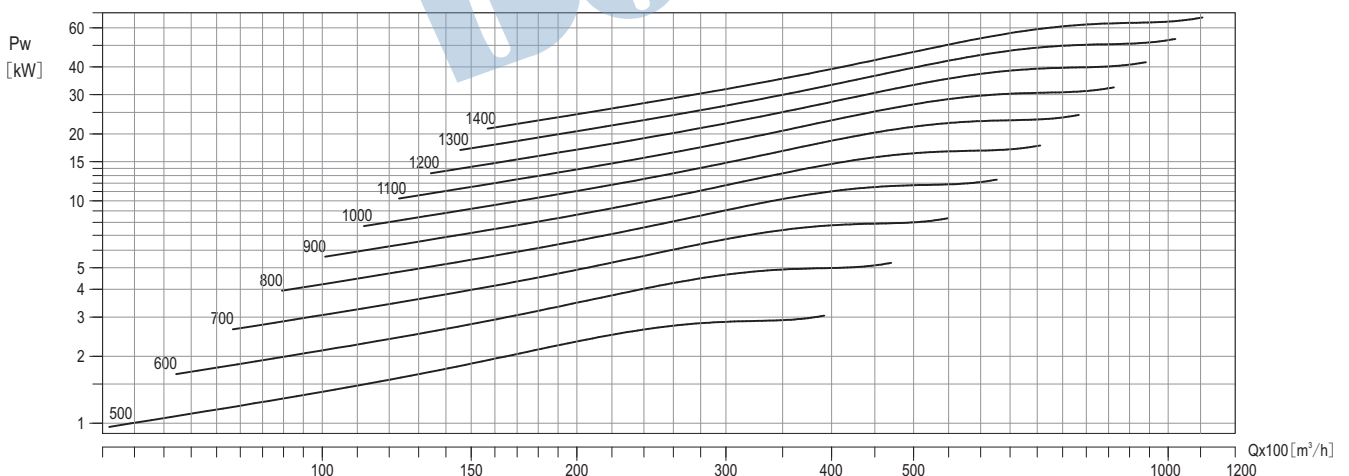
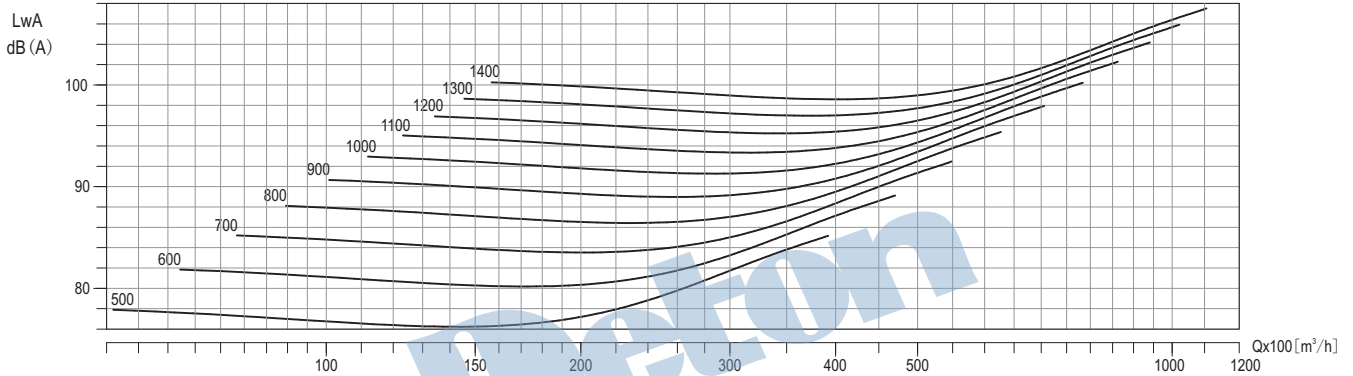
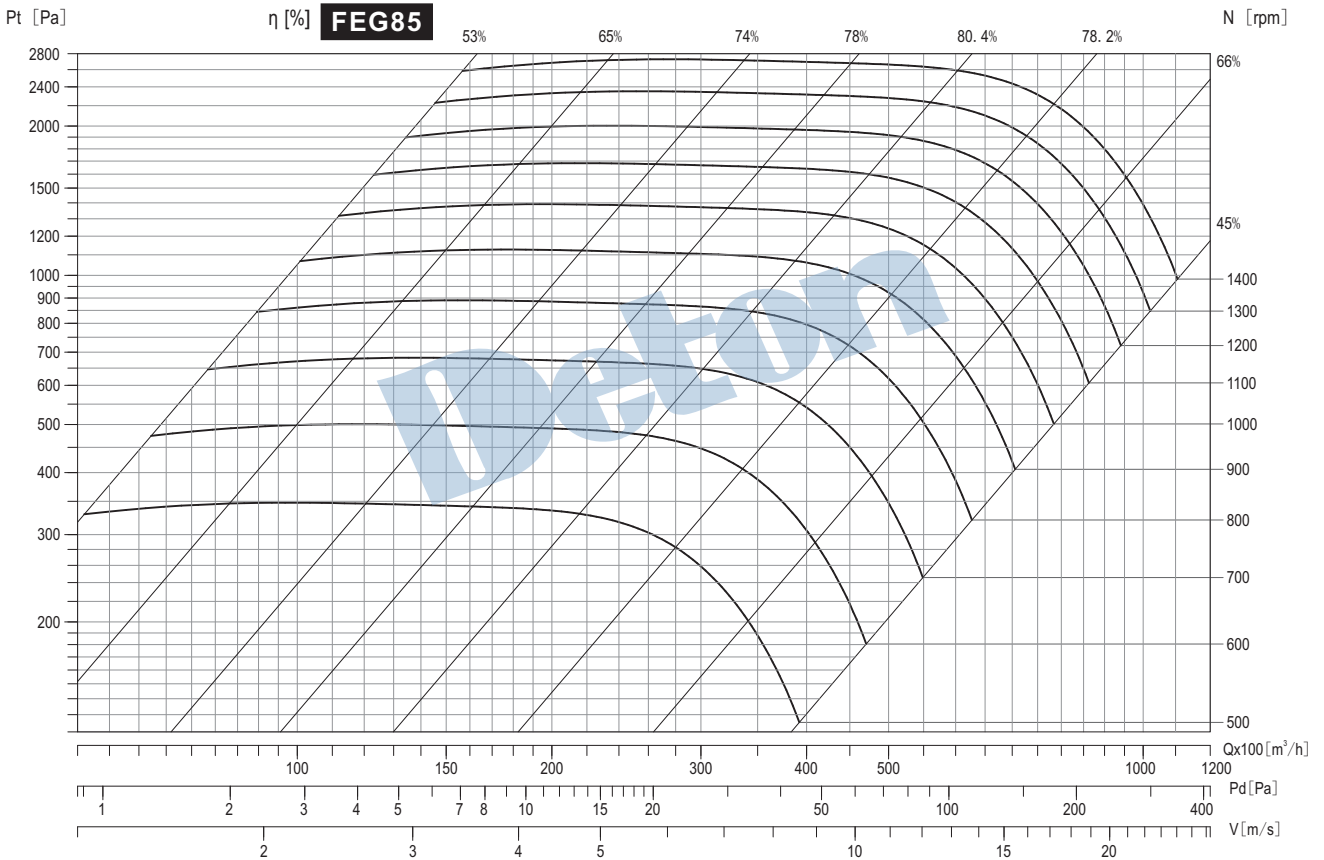
Performance certified is for installation type B-Free inlet, Ducted outlet. Performance ratings do not include the effects of appurtenances (accessories). Power rating kW does not include transmission losses. The A-weighted sound ratings shown have been calculated per AMCA International standard 301. Values shown are for inlet LwiA sound power levels for Installation type B: free inlet, ducted outlet.

TDF Series



TDF900

Air Density: 1.2 kg/m³



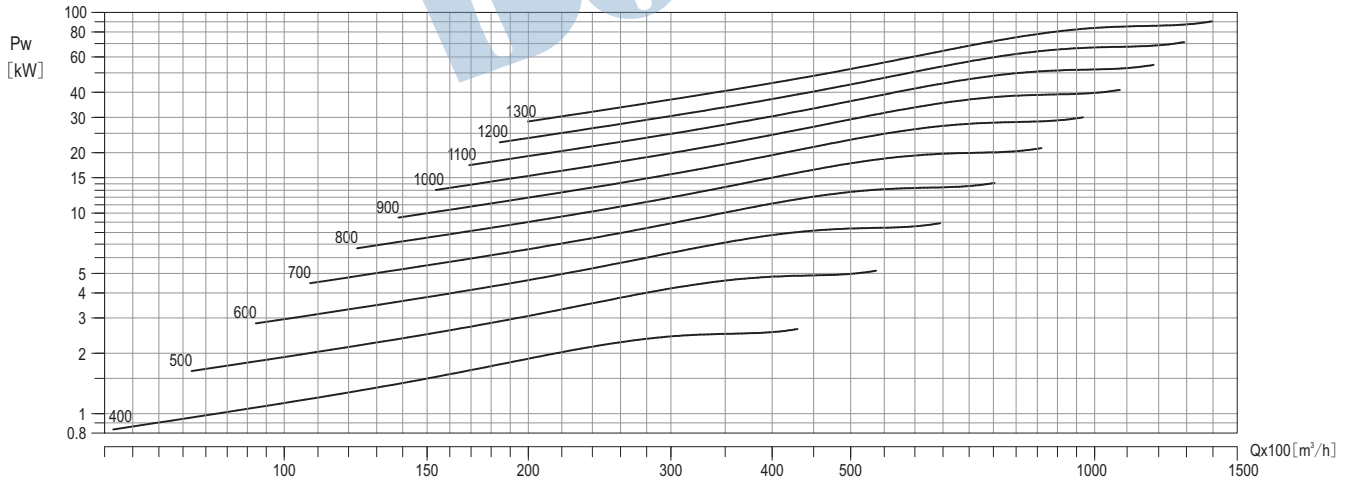
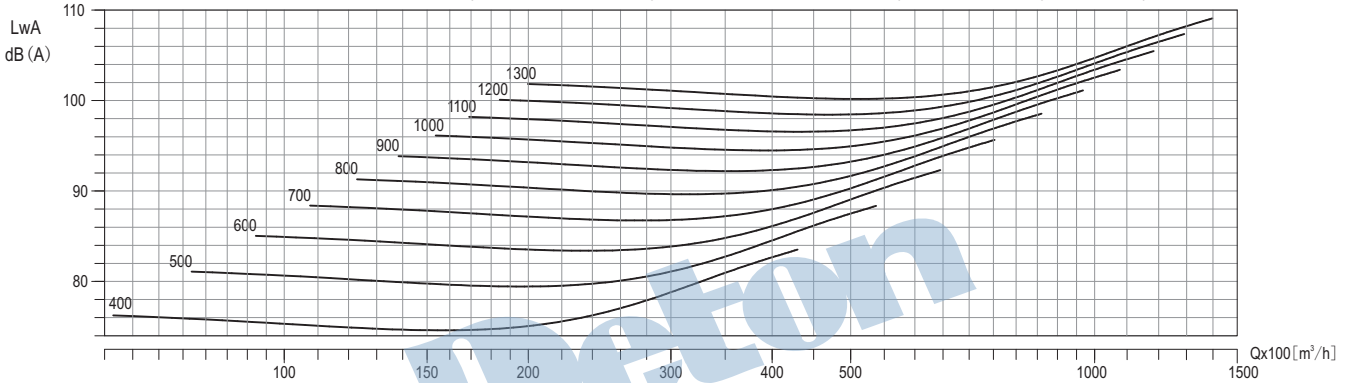
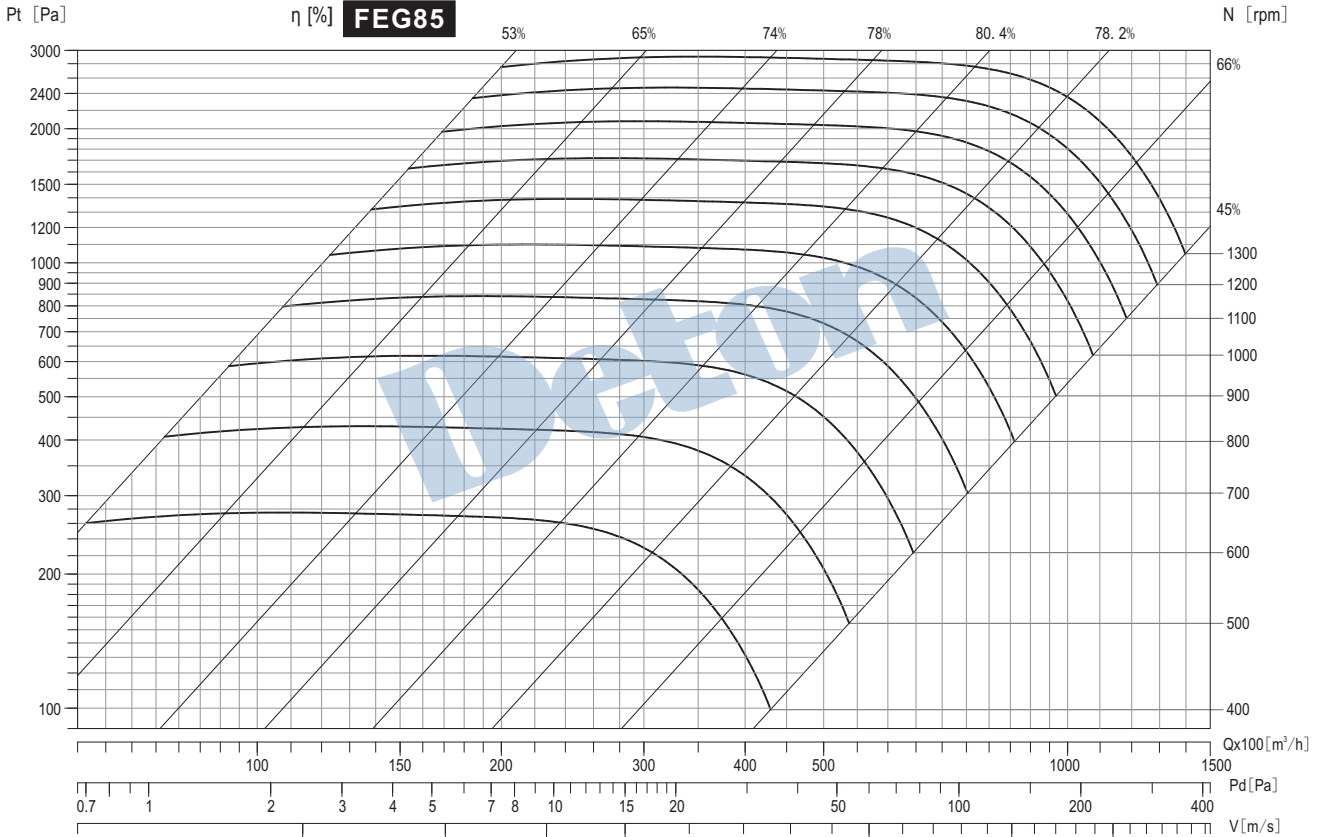
Performance certified is for installation type B-Free inlet, Ducted outlet. Performance ratings do not include the effects of appurtenances (accessories). Power rating kW does not include transmission losses. The A-weighted sound ratings shown have been calculated per AMCA International standard 301. Values shown are for inlet LwiA sound power levels for Installation type B: free inlet, ducted outlet.

TDF Series



TDF 1000

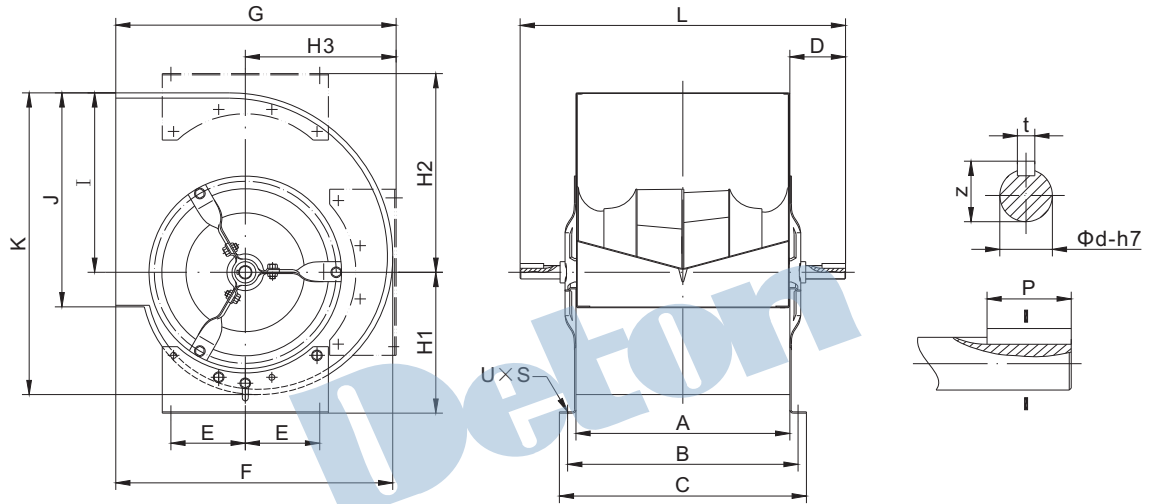
Air Density: 1.2 kg/m³



Performance certified is for installation type B-Free inlet, Ducted outlet. Performance ratings do not include the effects of aperturancs (accessories). Power rating kW does not include transmission losses. The A-weighted sound ratings shown have been calculated per AMCA International standard 301. Values shown are for inlet LwiA sound power levels for Installation type B: free inlet, ducted outlet.

TDF Series

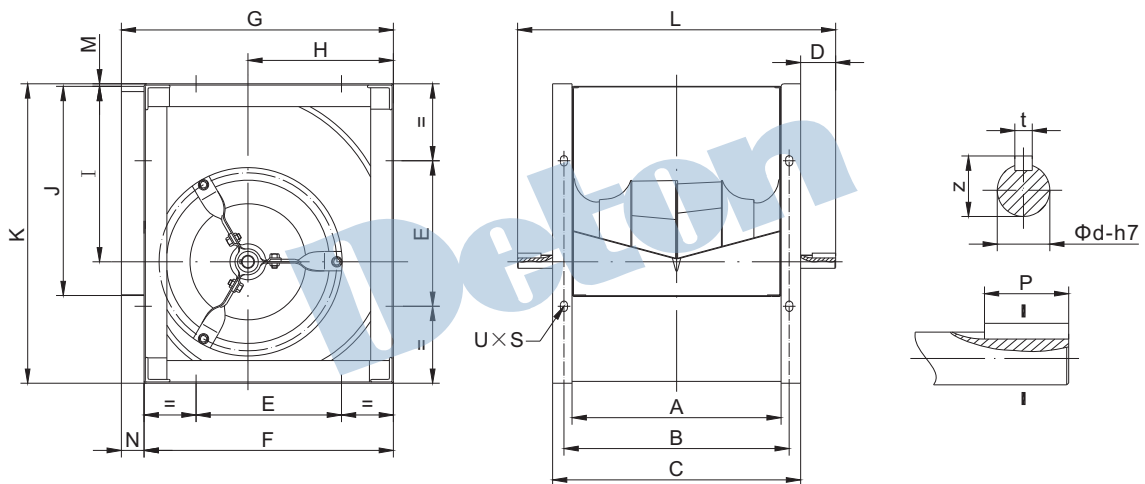
TDF -D Dimension



[mm]

ModeI	A	B	C	D	E	F	G	H1	H2	H3	I	J	K	L	φd	t	z	P	UXS
TDF200	256	281	306	82	224	306	348	181	245	184	215	256	364	420	20	6	22.8	40	11X16
TDF225	288	313	338	86	224	348	384	197	274	204	243	288	408	460	20	6	22.8	40	11X16
TDF250	322	347	372	84	224	384	422	212	299	227	270	322	454	490	20	6	22.8	40	11X16
TDF280	361	391	421	90	280	432	470	236	331	255	302	361	510	540	25	8	28.3	40	11X16
TDF315	404	434	464	98	280	480	519	261	370	283	340	404	572	600	25	8	28.3	40	11X16
TDF355	452	492	532	110	315	548	580	274	411	320	383	452	644	672	30	8	33.3	40	11X16
TDF400	506	546	586	93	110	612	649	302	462	359	432	506	724	726	30	8	33.3	40	11X16
TDF450	568	608	648	115	123	681	729	336	518	407	486	568	816	814	35	10	38.3	50	13X18

TDF -K Dimension



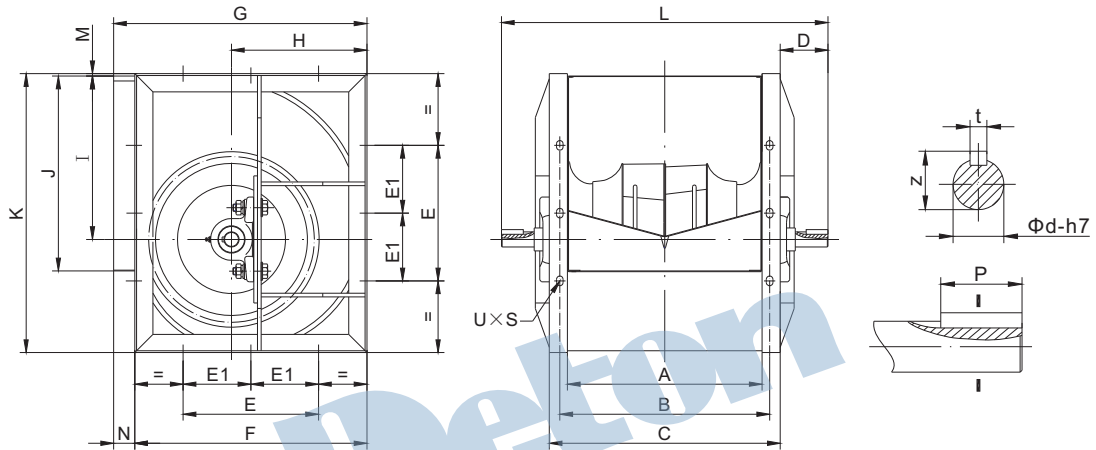
[mm]

ModeI	A	B	C	D	E	E1	F	G	H	I	J	K	L	M	N	φd	t	z	P	UXS
TDF200	256	281	316	52	224	/	306	343	179	215	256	370	420	4	37	20	6	22.8	40	11X16
TDF225	288	313	348	56	224	/	348	383	203	243	288	415	460	3	35	20	6	22.8	40	11X16
TDF250	322	347	382	54	224	/	384	419	224	270	322	461	490	4	35	20	6	22.8	40	11X16
TDF280	361	391	421	60	280	/	432	466	251	302	361	518	540	5	34	25	8	28.3	40	11X16
TDF315	404	434	464	68	280	/	480	518	282	340	404	578	600	3	38	25	8	28.3	40	13X18
TDF355	452	492	532	70	315	/	548	578	318	383	452	654	672	6	30	30	8	33.3	40	13X18
TDF400	506	546	586	70	355	/	612	650	360	432	506	736	726	5	38	30	8	33.3	40	13X18
TDF450	568	608	648	83	400	/	681	726	404	486	568	827	814	5	45	35	10	38.3	50	13X18

说明：所有尺寸允许偏差±4mm

Note: Overall dimension tolerance arange ±4mm .

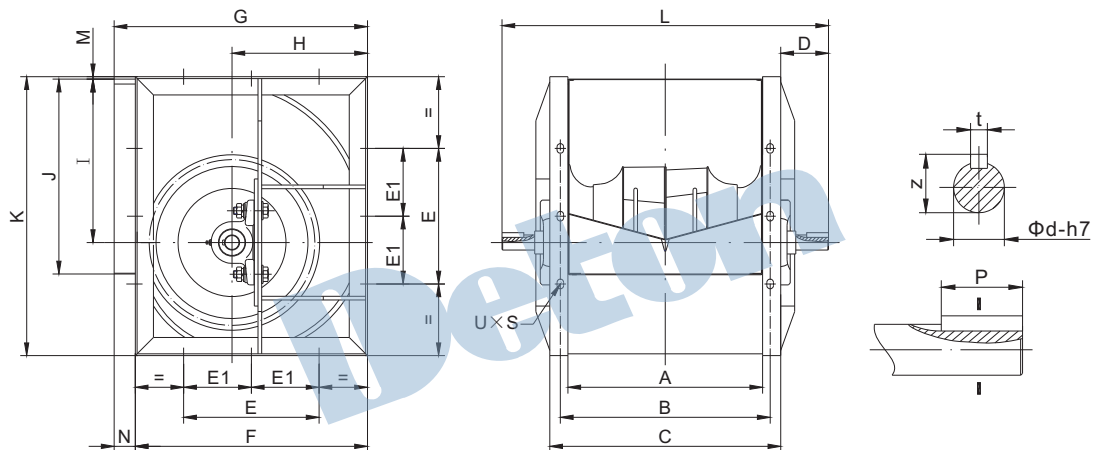
TDF -HL Dimension



[mm]

Model	A	B	C	D	E	E1	F	G	H	I	J	K	L	M	N	Φd	t	z	P	UXS
TDF200	256	281	316	77	224	/	306	343	179	215	256	370	470	4	37	20	6	22.8	40	11X16
TDF225	288	313	348	81	224	/	348	383	203	243	288	415	510	3	35	25	8	28.3	40	11X16
TDF250	322	347	382	79	224	/	384	419	224	270	322	461	540	4	35	25	8	28.3	40	11X16
TDF280	361	391	421	77	280	/	432	466	251	302	361	518	575	5	34	25	8	28.3	40	11X16
TDF315	404	434	464	84	280	/	480	518	282	340	404	578	632	3	38	25	8	28.3	40	13X18
TDF355	452	492	532	84	315	/	548	578	318	383	452	654	700	6	30	30	8	33.3	40	13X18
TDF400	506	546	586	87	355	/	612	650	360	432	506	736	760	5	38	30	8	33.3	40	13X18
TDF450	568	608	648	98.5	400	/	681	726	404	486	568	827	845	5	45	35	10	38.3	50	13X18
TDF500	638	678	718	98.5	450	/	750	800	448	538	638	918	915	5	50	35	10	38.3	50	13X18
TDF560	714	764	814	93		250	844	892	502	603	714	1030	1000	7	48	40	12	43.3	70	13X18
TDF630	800	850	900	95		280	945	998	564	679	800	1157	1090	6	53	45	14	48.5	70	13X18
TDF710	898	948	998	128.5		315	1057	1120	636	765	898	1302	1255	7	63	50	14	53.5	90	17X22
TDF800	1006	1056	1106	141		355	1180	1254	714	862	1006	1468	1388	7	74	55	16	59	90	17X22
TDF900	1130	1180	1256	155		400	1319	1408	804	971	1130	1648	1566	7	89	60	18	64	90	17X22

TDF -HM Dimension



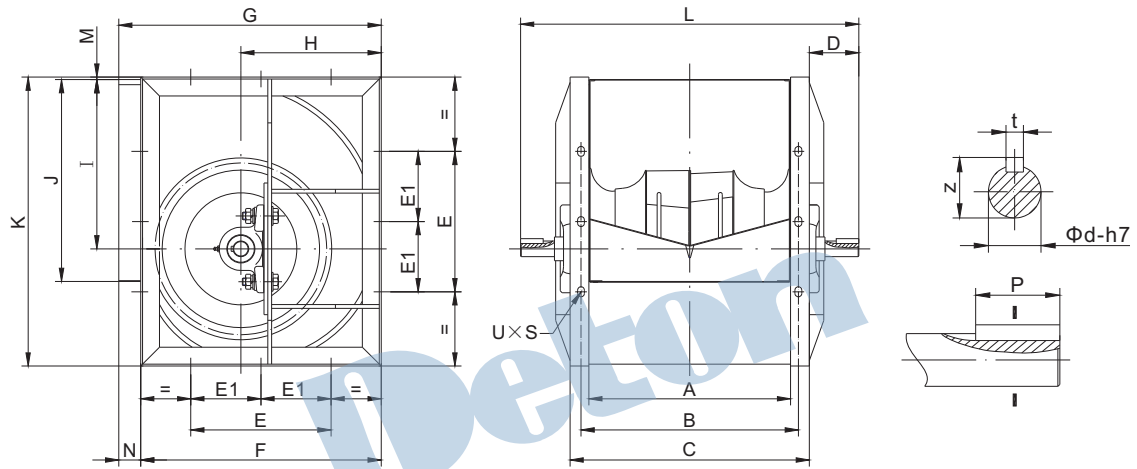
[mm]

Model	A	B	C	D	E	E1	F	G	H	I	J	K	L	M	N	Φd	t	z	P	UXS
TDF200	256	281	316	77	224	/	306	343	179	215	256	370	470	4	37	20	6	22.8	40	11X16
TDF225	288	313	348	81	224	/	348	383	203	243	288	415	510	3	35	25	8	28.3	40	11X16
TDF250	322	347	382	79	224	/	384	419	224	270	322	461	540	4	35	25	8	28.3	40	11X16
TDF280	361	391	421	77	280	/	432	466	251	302	361	518	575	5	34	25	8	28.3	40	11X16
TDF315	404	434	464	84	280	/	480	518	282	340	404	578	632	3	38	30	8	33.3	50	13X18
TDF355	452	492	532	93	315	/	548	578	318	383	452	654	718	6	30	35	10	38.3	50	13X18
TDF400	506	546	586	93	355	/	612	650	360	432	506	736	772	5	38	35	10	38.3	50	13X18
TDF450	568	608	648	115	400	/	681	726	404	486	568	827	878	5	45	40	12	43.3	70	13X18
TDF500	638	678	718	119	450	/	750	800	448	538	638	918	956	5	50	40	12	43.3	70	13X18
TDF560	714	764	814	128		250	844	892	502	603	714	1030	1070	7	48	45	14	48.3	70	13X18
TDF630	800	850	900	127.5		280	945	998	564	679	800	1157	1155	6	53	50	14	53.8	90	13X18
TDF710	898	948	998	141		315	1057	1120	636	765	898	1302	1280	7	63	55	16	59	90	17X22
TDF800	1006	1056	1106	141		355	1180	1254	714	862	1006	1468	1388	7	74	55	16	59	90	17X22
TDF900	1130	1180	1256	155		400	1319	1408	804	971	1130	1648	1566	7	89	60	18	64	100	17X22
TDF1000	1266	1316	1392	213		450	1450	1540	884	1066	1266	1810	1818	9	90	65	18	69	100	17X22

说明：所有尺寸允许偏差±4mm

Note: Overall dimension tolerance range ±4mm.

TDF -GM Dimension



[mm]

Model	A	B	C	D	E	E1	F	G	H	I	J	K	L	M	N	ϕd	t	z	P	UXS
TDF500	638	678	718	171	450	/	750	800	448	538	638	918	1060	5	50	40	12	43.3	70	13X18
TDF560	714	764	814	173	/	250	844	892	502	603	714	1030	1160	7	48	50	14	53.8	70	13X18
TDF630	800	850	900	200	/	280	945	998	564	679	800	1157	1300	6	53	50	14	53.8	90	13X18
TDF710	898	948	998	217	/	315	1057	1120	636	765	888	1302	1432	7	63	60	18	64	90	17X22
TDF800	1006	1056	1106	217	/	355	1180	1254	714	862	996	1468	1540	7	74	60	18	64	90	17X22
TDF900	1130	1180	1256	208	/	400	1319	1408	804	971	1120	1648	1672	7	89	65	18	69	100	17X22
TDF1000	1266	1316	1392	213	/	450	1450	1540	884	1066	1256	1810	1818	9	90	65	18	69	100	17X22

说明：所有尺寸允许偏差 $\pm 4mm$

Note: Overall dimension tolerance arange $\pm 4mm$.



TDF Series

TDF - D Overall dimension

		0°					90°					180°				
右旋 RD																
左旋 LG																
型号 Model	电机机座 Motor Size	C	L	W	H	重量 Weight (kg)	C	L	W	H	重量 Weight (kg)	C	L	W	H	重量 Weight (kg)
315	71	495	840	630	642	33	412	900	630	559	33	448	840	630	641	33
	80	506	880	630	642	33	425	940	630	559	33	462	880	630	641	33
	90	519	920	630	642	33	439	980	630	559	33	478	920	630	641	33
	100	532	960	630	642	33	455	1020	630	559	33	495	960	630	641	33
	112	549	1020	630	642	33	474	1080	630	559	34	516	1020	630	641	33
	132	579	1100	630	642	34	508	1160	630	559	34	551	1100	630	641	34
355	71	548	900	702	712	44	454	960	702	620	45	486	900	702	697	44
	80	558	940	702	712	44	466	1000	702	620	45	500	940	702	697	44
	90	570	980	702	712	45	480	1060	702	620	45	516	980	702	697	45
	100	583	1020	702	712	45	495	1100	702	620	45	533	1020	702	697	45
	112	599	1080	702	712	45	513	1140	702	620	45	554	1080	702	697	45
	132	627	1180	702	712	46	545	1250	702	620	46	589	1180	702	697	46
400	71	608	960	756	794	50	500	1050	756	689	50	532	960	756	774	50
	80	617	1000	756	794	50	511	1080	756	689	50	545	1000	756	794	50
	90	629	1040	756	794	50	525	1150	756	689	51	561	1040	756	774	50
	100	641	1100	756	794	51	539	1180	756	689	51	577	1100	756	774	51
	112	656	1140	756	794	51	556	1250	756	689	51	597	1140	756	774	51
	132	683	1250	756	794	51	587	1300	756	689	52	632	1250	756	774	51
	160	723	1350	756	794	52	632	1450	756	689	52	682	1350	756	774	52

TDF - K Overall dimension

		0°					90°					180°				
右旋 RD																
左旋 LG																
型号 Model	电机机座 Motor Size	C	L	W	H	重量 Weight (kg)	C	L	W	H	重量 Weight (kg)	C	L	W	H	重量 Weight (kg)
315	71	483	840	630	618	34	414	900	630	558	34	442	840	630	618	34
	80	495	880	630	618	34	427	940	630	558	34	457	880	630	618	34
	90	509	920	630	618	34	442	980	630	558	34	474	920	630	618	34
	100	523	960	630	618	34	458	1020	630	558	34	491	960	630	618	34
	112	541	1020	630	618	34	477	1080	630	558	35	513	1020	630	618	34
	132	572	1120	630	618	35	511	1180	630	558	35	550	1120	630	618	35
355	71	537	900	702	694	48	457	980	702	618	49	485	900	702	694	48
	80	548	940	702	694	48	469	1020	702	618	49	500	940	702	694	48
	90	561	980	702	694	49	483	1060	702	618	49	516	980	702	694	49
	100	575	1020	702	694	49	498	1100	702	618	49	533	1020	702	694	49
	112	592	1080	702	694	49	516	1160	702	618	50	554	1080	702	694	49
	132	621	1180	702	694	50	549	1250	702	618	50	589	1180	702	694	50
400	71	599	980	756	776	53	506	1060	756	690	53	536	980	756	776	53
	80	609	1020	756	776	53	518	1100	756	690	54	550	1020	756	776	53
	90	621	1060	756	776	53	531	1140	756	690	54	566	1060	756	776	53
	100	634	1100	756	776	54	545	1180	756	690	54	582	1100	756	776	54
	112	650	1160	756	776	54	563	1250	756	690	54	602	1160	756	776	54
	132	678	1250	756	776	54	594	1350	756	690	55	637	1250	756	776	54
	160	720	1350	756	776	55	639	1450	756	690	55	687	1350	756	776	55

TDF - H Overall dimension

		0°					90°					180°				
右旋																
RD																
左旋																
LG																
型号	电机	C	L	W	H	重量	C	L	W	H	重量	C	L	W	H	重量
Model	Motor					Weight					Weight					Weight
	Size					(kg)					(kg)					(kg)
315	100	523	960	662	618	47	458	1020	662	558	47	491	960	662	618	47
	112	541	1020	662	618	47	477	1080	662	558	48	513	1020	662	618	47
	132	572	1100	662	618	48	511	1180	662	558	48	550	1100	662	618	48
	160	619	1250	662	618	49	561	1300	662	558	49	603	1250	662	618	49
355	100	575	1020	748	694	61	498	1100	748	618	61	533	1020	748	694	61
	112	592	1080	748	694	61	516	1150	748	618	61	554	1080	748	694	61
	132	621	1180	748	694	62	549	1250	748	618	62	589	1180	748	694	62
	160	665	1300	748	694	62	597	1400	748	618	63	641	1300	748	694	62
400	112	650	1160	802	776	76	563	1250	802	690	76	602	1160	802	776	76
	132	678	1250	802	776	76	594	1350	802	690	77	637	1250	802	776	76
	160	720	1350	802	776	77	639	1450	802	690	77	687	1350	802	776	77
	180	752	1450	802	776	77	674	1550	802	690	78	724	1450	802	776	77
450	112	714	1250	908	867	99	614	1350	908	766	99	654	1250	908	867	99
	132	740	1300	908	867	99	643	1400	908	766	99	688	1300	908	867	99
	160	780	1450	908	867	100	687	1550	908	766	100	737	1450	908	867	100
	180	811	1550	908	867	100	720	1650	908	766	101	773	1550	908	867	100
500	132	798	1400	986	968	135	692	1500	986	850	136	738	1400	986	968	135
	160	837	1500	986	968	136	735	1650	986	850	137	786	1500	986	968	136
	180	867	1600	986	968	136	767	1750	986	850	137	821	1600	986	968	136
	200	897	1700	986	968	137	800	1800	986	850	138	857	1700	986	968	137
560	132	877	1500	1110	1080	176	755	1600	1110	942	177	802	1500	1110	1080	176
	160	914	1600	1110	1080	177	796	1750	1110	942	178	848	1600	1110	1080	177
	180	942	1700	1110	1080	178	826	1850	1110	942	179	883	1700	1110	1080	178
	200	971	1800	1110	1080	179	858	1950	1110	942	180	918	1800	1110	1080	179
630	160	1004	1700	1196	1207	218	868	1850	1196	1048	219	922	1700	1196	1207	218
	180	1030	1800	1196	1207	218	897	1950	1196	1048	219	955	1800	1196	1207	218
	200	1058	1900	1196	1207	219	927	2050	1196	1048	220	989	1900	1196	1207	219
	225	1094	2000	1196	1207	220	966	2150	1196	1048	221	1033	2000	1196	1207	220
710	160	1094	1850	1310	1382	286	938	2000	1310	1200	288	999	1850	1310	1382	286
	180	1120	1950	1310	1382	287	966	2100	1310	1200	289	1032	1950	1310	1382	287
	200	1147	2000	1310	1382	288	996	2200	1310	1200	290	1066	2000	1310	1382	288
	225	1182	2150	1310	1382	290	1034	2300	1310	1200	291	1109	2150	1310	1382	290
800	90	1135	1650	1418	1548	333	950	1850	1418	1334	335	992	1650	1418	1548	333
	100	1145	1700	1418	1548	333	961	1900	1418	1334	336	1005	1700	1418	1548	333
	112	1157	1750	1418	1548	334	975	1950	1418	1334	337	1022	1750	1418	1548	334
	132	1178	1850	1418	1548	335	998	2050	1418	1334	338	1052	1850	1418	1548	335
	160	1210	1950	1418	1548	337	1034	2200	1418	1334	340	1095	1950	1418	1548	337
	180	1235	2050	1418	1548	338	1061	2300	1418	1334	341	1126	2050	1418	1548	338
	200	1260	2150	1418	1548	339	1089	2350	1418	1334	341	1159	2150	1418	1548	339
225	1293	2250	1418	1548	340	1126	2500	1418	1334	343	1201	2250	1418	1548	340	
900	100	1283	1850	1596	1728	406	1071	2100	1596	1488	409	1117	1850	1596	1728	406
	112	1294	1900	1596	1728	406	1083	2150	1596	1488	409	1134	1900	1596	1728	406
	132	1314	2000	1596	1728	408	1106	2250	1596	1488	411	1162	2000	1596	1728	408
	160	1345	2150	1596	1728	409	1139	2350	1596	1488	412	1203	2150	1596	1728	409
	180	1368	2200	1596	1728	410	1165	2450	1596	1488	413	1234	2200	1596	1728	410
	200	1392	2300	1596	1728	411	1191	2550	1596	1488	414	1266	2300	1596	1728	411
	225	1423	2400	1596	1728	413	1226	2650	1596	1488	416	1306	2400	1596	1728	413
250	1456	2550	1596	1728	414	1262	2750	1596	1488	417	1348	2550	1596	1728	414	

TDF Series

TDF - G Overall dimension

		0°					90°					180°				
右旋																
RD																
左旋																
LG																
型号	电机	C	L	W	H	重量	C	L	W	H	重量	C	L	W	H	重量
Model	Motor					Weight					Weight					Weight
	Size					(kg)					(kg)					(kg)
315	132	572	1120	762	618	57	511	1180	762	558	57	550	1120	762	618	57
	160	619	1250	762	618	58	561	1300	762	558	58	603	1250	762	618	58
	180	654	1350	762	618	58	598	1400	762	558	58	642	1350	762	618	58
	200	690	1400	762	618	58	636	1500	762	558	59	682	1400	762	618	58
355	132	621	1180	852	694	74	549	1250	852	618	74	589	1180	852	694	74
	160	665	1300	852	694	74	597	1350	852	618	75	641	1300	852	694	74
	180	699	1400	852	694	75	633	1450	852	618	75	679	1400	852	694	74
	200	733	1500	852	694	75	670	1550	852	618	76	718	1500	852	694	75
400	160	720	1350	906	776	92	639	1450	906	690	92	687	1350	906	776	92
	180	752	1450	906	776	92	674	1550	906	690	93	724	1450	906	776	92
	200	785	1550	906	776	93	709	1650	906	690	93	762	1550	906	776	93
	225	828	1650	906	776	93	755	1750	906	690	94	811	1650	906	776	93
450	160	780	1450	976	867	105	687	1550	976	766	105	737	1450	976	867	105
	180	811	1550	976	867	105	720	1650	976	766	106	773	1550	976	867	105
	200	842	1650	976	867	106	754	1750	976	766	106	810	1650	976	867	106
	225	883	1750	976	867	106	798	1850	976	766	107	857	1750	976	867	106
500	180	867	1600	1096	968	142	767	1750	1096	850	143	821	1600	1096	968	142
	200	897	1700	1096	968	143	800	1800	1096	850	144	857	1700	1096	968	143
	225	937	1800	1096	968	144	843	1950	1096	850	145	904	1800	1096	968	144
	250	979	1900	1096	968	145	887	2050	1096	850	143	951	1900	1096	968	145
560	180	942	1700	1168	1080	186	826	1850	1168	942	187	883	1700	1168	1080	186
	200	971	1800	1168	1080	187	858	1950	1168	942	188	918	1800	1168	1080	187
	225	1009	1900	1168	1080	187	899	2050	1168	942	189	963	1900	1168	1080	187
	250	1049	2000	1168	1080	188	942	2150	1168	942	189	1009	2000	1168	1080	188
630	200	1058	1900	1316	1207	234	927	2050	1316	1048	235	989	1900	1316	1207	234
	225	1094	2000	1316	1207	235	966	2150	1316	1048	236	1033	2000	1316	1207	235
	250	1132	2100	1316	1207	236	1007	2300	1316	1048	237	1078	2100	1316	1207	236
	280	1179	2250	1316	1207	237	1058	2400	1316	1048	238	1133	2250	1316	1207	237
710	200	1147	2000	1420	1382	308	996	2200	1420	1200	310	1066	2000	1420	1382	308
	225	1182	2150	1420	1382	310	1034	2300	1420	1200	311	1109	2150	1420	1382	310
	250	1219	2250	1420	1382	311	1074	2450	1420	1200	313	1153	2250	1420	1382	311
	280	11265	2400	1420	1382	313	1124	2550	1420	1200	315	1208	2400	1420	1382	313
800	160	1210	2000	1528	1548	361	1034	2200	1528	1334	364	1095	2000	1528	1548	361
	180	1235	2050	1528	1548	362	1061	2300	1528	1334	365	1126	2050	1528	1548	362
	200	1260	2150	1528	1548	363	1089	2350	1528	1334	365	1159	2150	1528	1548	363
	225	1293	2250	1528	1548	364	1126	2500	1528	1334	367	1201	2250	1528	1548	364
	250	1328	2400	1528	1548	366	1164	2600	1528	1334	368	1243	2400	1528	1548	366
	280	1372	2500	1528	1548	367	1212	2750	1528	1334	370	1296	2500	1528	1548	367
900	180	1368	2200	1690	1728	439	1165	2450	1690	1488	442	1234	2200	1690	1728	439
	200	1392	2300	1690	1728	440	1191	2550	1690	1488	443	1266	2300	1690	1728	440
	225	1423	2400	1690	1728	442	1226	2650	1690	1488	445	1306	2400	1690	1728	442
	250	1456	2550	1690	1728	443	1262	2750	1690	1488	446	1348	2550	1690	1728	443
	280	1497	2650	1690	1728	445	1308	2900	1690	1488	448	1399	2650	1690	1728	445
	315	1548	2850	1690	1728	447	1363	3050	1690	1488	450	1460	2850	1690	1728	447
1000	200	1510	2450	1875	1890	559	1286	2700	1875	1620	562	1362	2450	1875	1890	559
	225	1540	2550	1875	1890	560	1319	2800	1875	1620	563	1402	2550	1875	1890	560
	250	1572	2650	1875	1890	561	1354	2950	1875	1620	565	1442	2650	1875	1890	561
	280	1611	2800	1875	1890	563	1397	3050	1875	1620	565	1492	2800	1875	1890	563
	315	1660	3000	1875	1890	566	1450	3250	1875	1620	569	1553	3000	1875	1890	566